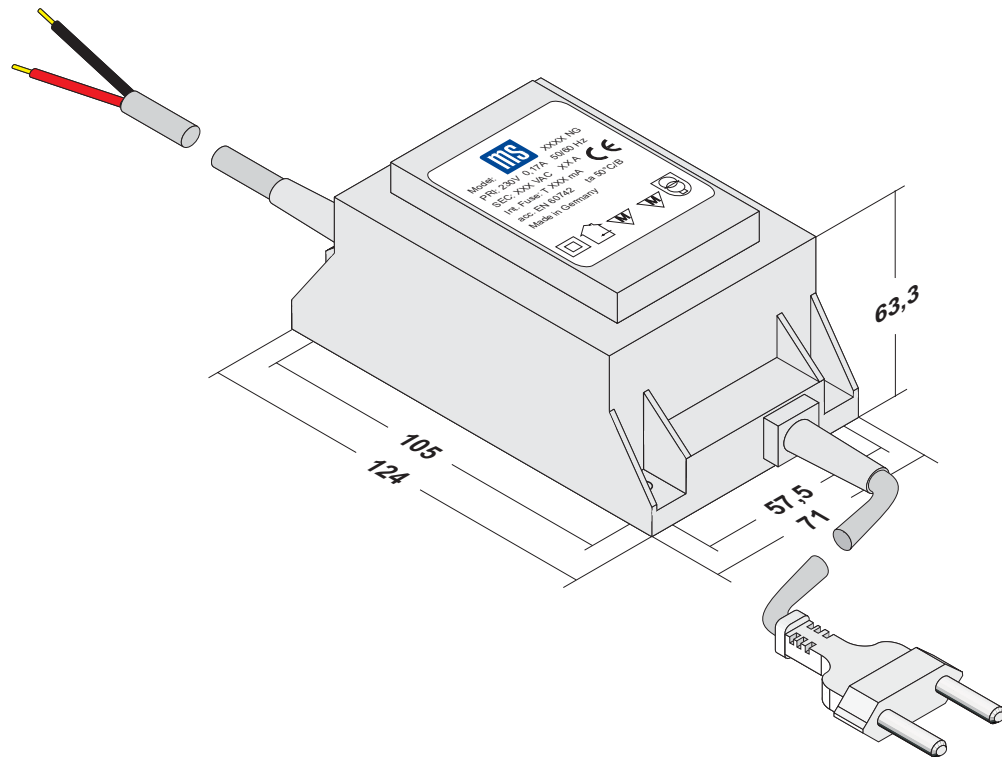


compact power supply

25 ... 36 W



RNG	input	power / voltage / current	
	230V ± 10%	36 W	24,0VDC/1,5ADC
	230V ± 10%	30 W	12,0VDC/2,5ADC
	230V ± 10%	25 W	5,0VDC/5,0ADC

technical datas:

input-voltage/voltage-tolerance:
or
output-voltage / output-current:
output-ripple:
characteristic:

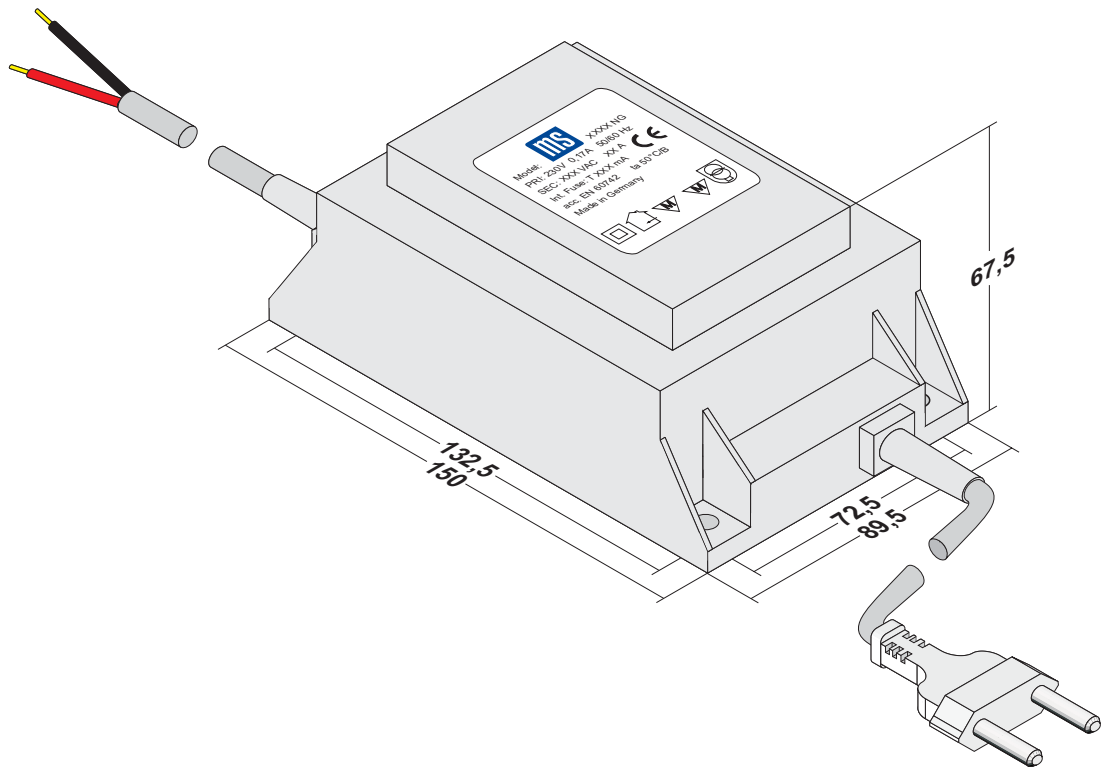
230 V / 50 - 60 Hz ± 10%
other voltage on demand
+ 25% ; - 10%
< 5%
without control, characteristic WU

ambient temperature:
protection-class:
short-circuit-proof protection:
safety standards:

0 - +50°C
II / IP00
primary temperature-protection
EN 60742 (VDE 0551), DIN 19240

compact power supply

35 ... 60 W



RNG	input	power / voltage / current
	230V ± 10%	60 W 24,0VDC/2,5ADC
	230V ± 10%	48 W 12,0VDC/4,0ADC
	230V ± 10%	35 W 5,0VDC/7,0ADC

technical datas:

input-voltage/voltage-tolerance:
or
output-voltage / output-current:
output-ripple:
characteristic:

230 V / 50 - 60 Hz ± 10%
other voltage on demand
+ 25% ; - 10%
< 5%
without control, characteristic WU

ambient temperature:
protection-class:
short-circuit-proof protection:
safety standards:

0 - +50°C
II / IP00
primary temperature-protection
EN 60742 (VDE 0551), DIN 19240