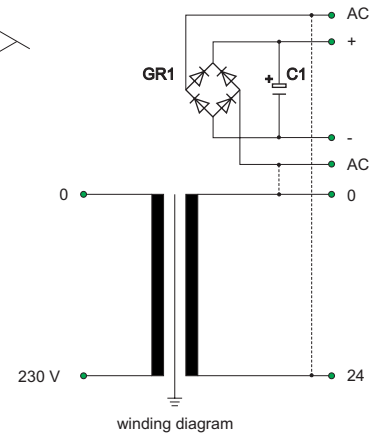
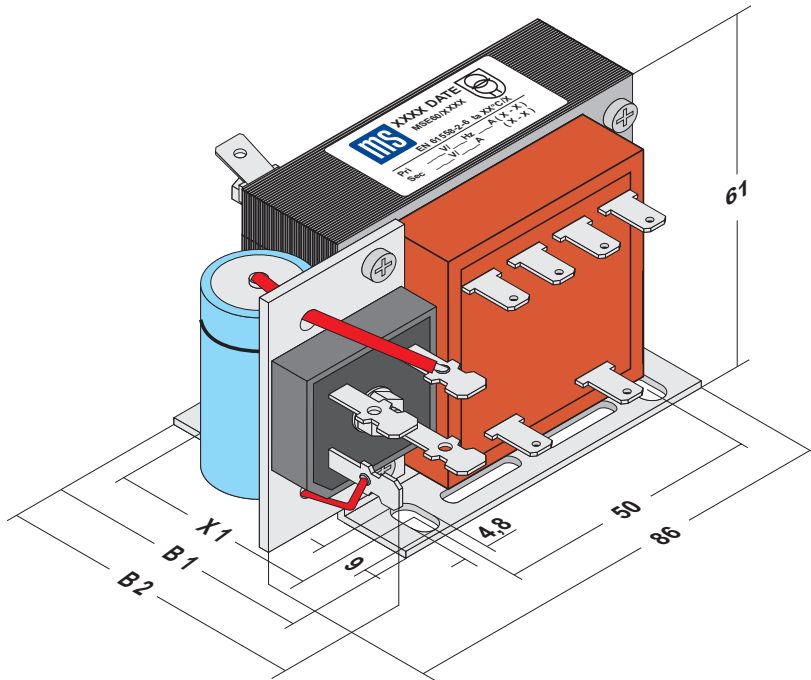


type MSE 60 NG

12 ... 36 W



MSE 60	type size	width		hole distance	power / voltage / current	
	[mm]	B 1 [mm]	B 2 [mm]	X 1 [mm]	ta 40°C/B	
					compact	economy
	MSE 60/16	44	57	31	15W 24VDC/0,6ADC	12W 24VDC/0,50ADC
	MSE 60/21	51	64	38	20W 24VDC/0,8ADC	16W 24VDC/0,65ADC
	MSE 60/25	55	68	42	26W 24VDC/1,1ADC	20W 24VDC/0,80ADC
	MSE 60/30	60	72	47	32W 24VDC/1,3ADC	24W 24VDC/1,00ADC
	MSE 60/35	65	77	52	36W 24VDC/1,5ADC	29W 24VDC/1,20ADC

- * safety transformer satisfying EN 60742 (VDE 0551) / EN 61558-2-6 ($U_o \sim < 50 V$)
- * construction with fully encapsulated windings; > 8 mm separation (cr and cl) between primary and secondary
- * $U_o \sim > 50 V$: insulating transformer according EN 61558-2-4
- * extremely small magnetic perturbation field due to optimized core geometry and very good power efficiency
- * standard one or two windings primary
- * optional: temperature fuse / PTC / secondary fuse
- * additional output-voltages e.g. 12VDC / 15VDC / 36VDC on demnad
- * output ripple U_{OR} eff max. 5% U_{DC}

9901

technical changes reserved

Balti Trafo OÜ

Vihtra tee 3a · 87701 VÄNDRA, ESTONIA

phone: +372 44 71 660 · fax: +372 44 71 667

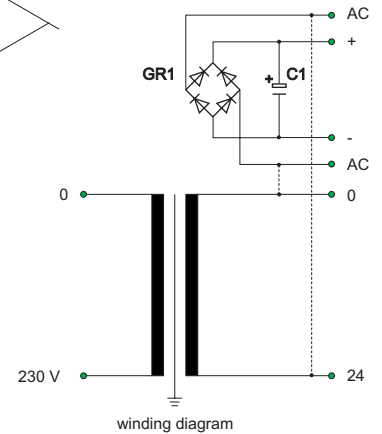
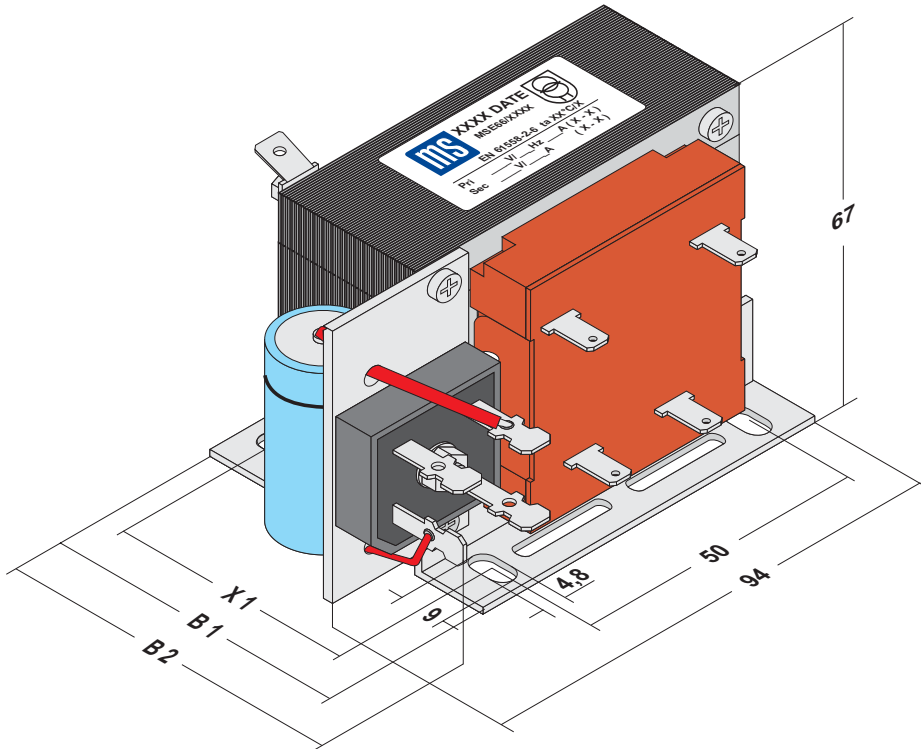
info@msbaltitrafo.ee

www.msbaltitrafo.ee

11.01

type MSE 66 NG

24 ... 55 W



MSE 66	type size	width		hole distance	power / voltage / current			
	[mm]	B 1	B 2	X 1	compact		economy	
	[mm]	[mm]	[mm]	[mm]	ta 40°C/B			
	MSE 66/23	53	65	38	36W	24VDC/1,5ADC	24W	24VDC/1,0ADC
	MSE 66/30	60	72	47	43W	24VDC/1,8ADC	31W	24VDC/1,3ADC
	MSE 66/35	65	77	52	55W	24VDC/2,3ADC	41W	24VDC/1,7ADC

- * safety transformer satisfying EN 60742 (VDE 0551) / EN 61558-2-6 ($U_o \sim < 50 V$)
- * construction with fully encapsulated windings; > 8 mm separation (cr and cl) between primary and secondary
- * $U_o \sim > 50 V$: insulating transformer according EN 61558-2-4
- * extremely small magnetic perturbation field due to optimized core geometry and very good power efficiency
- * standard one or two windings primary
- * optional: temperature fuse / PTC / secondary fuse
- * additional output-voltages e.g. 12VDC / 15VDC / 36VDC on demnad
- * output ripple U_{OR} eff max. 5% U_{DC}

9901

technical changes reserved

Balti Trafo OÜ

Vihtra tee 3a · 87701 VÄNDRA, ESTONIA

phone: +372 44 71 660 · fax: +372 44 71 667

info@msbaltitrafo.ee

www.msbaltitrafo.ee

11.02