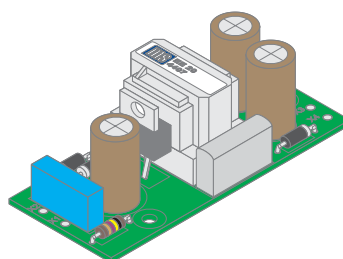


TOPSWITCH-applications

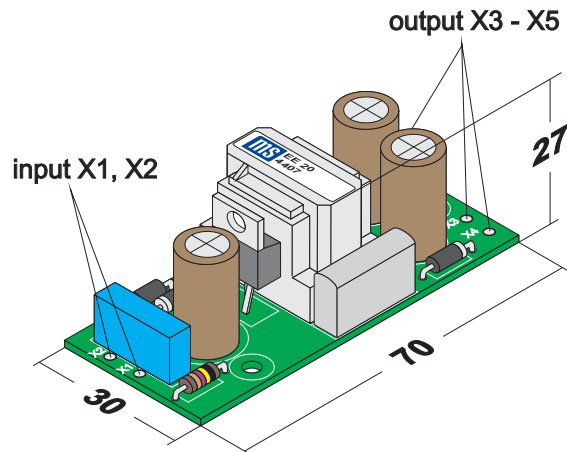
13.01



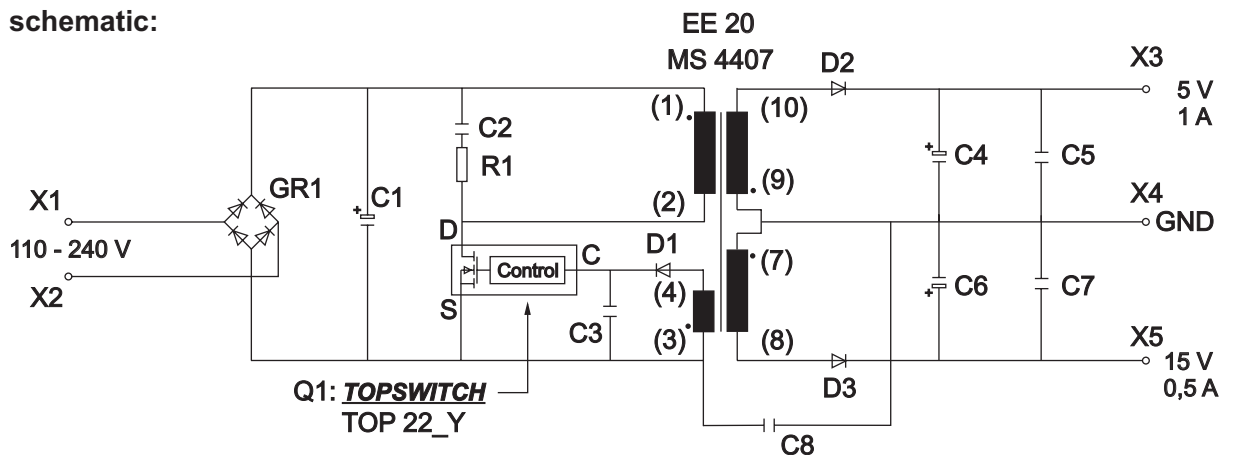
TOPSWITCH application for 10W

You need for a power supply for your application?

- * simple
- * low cost
- * minimum need of place
- * conforming EN/UL
- * short delivery-time



schematic:



You think about plug-in power supplies?

We have a attractive alternative with low manufacturing-cost!

- * built-in power supply
- * no big housing
- * power ca. 10 W
- * several output-voltages and powers possible
- * dimensions: (l x b x h) 70 x 30 x 27 mm
- * good efficiency; low cost of ownership
- * customer specified appliances possible; also integration on your asm
- * EN/UL-conform
- * manufacture-licences on demand