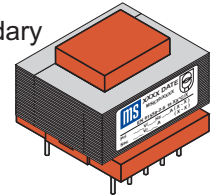


power table pcb transformers encapsulated MSE

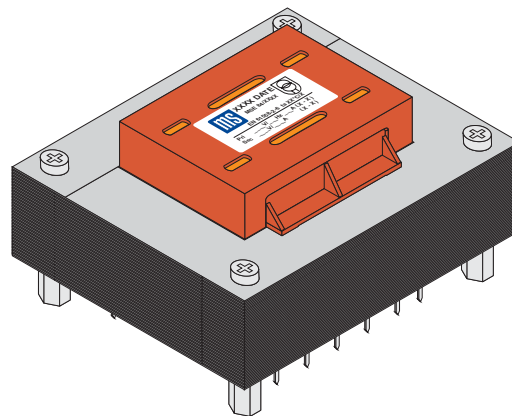
- * safety transformer satisfying EN 60742 (VDE 0551) / EN 61558-2-6 ($U_0 < 50 \text{ V}$)
- * construction with fully encapsulated windings; $> 8 \text{ mm}$ separation (cr and cl) between primary and secondary
- * approval according EN 61558, SEV, SEMKO, ENEC and CE sign
- * extremely small magnetic perturbation field due to optimized core geometry and very good power efficiency
- * maximum one or two windings primary respectively until four windings secondary
- * UL-approval E 182006 on demand (power reduction for UL)
- * advantageous price / quality ratio
- * automated production yields highest reliability
- * future fit, because recycable
- * special version on demand
- * optional: temperature fuse / PTC / fail-safe / teperature switch from MSE 66
- * optional: with 4 distance bolt (h+1), without MSE 30 and MSE 38



type	pins	dimensions[mm]			power [VA]			
		length L	width B	height h	ta 40°C/B		ta 70°C/B	
					compact	economy	compact	economy
MSE 30/5	2 x 5	32,5	32	16,5	0,7	-	0,5	-
MSE 30/10,5	2 x 5	32,5	32	22	1,8	1,5	1,3	1,1
MSE 30/12,5	2 x 5	32,5	32	24	2,3	1,9	1,7	1,4
MSE 30/15,5	2 x 5	32,5	32	27	2,8	2,4	2,1	1,8
MSE 30/18	2 x 5	32,5	32	30	3,4	3,0	2,6	2,3
MSE 38/7,5	2 x 5	42	37	21	3,6	3,0	2,6	2,1
MSE 38/13,5	2 x 5/6	42	37	27	6,5	5,0	4,8	3,8
MSE 38/15,5	2 x 6	42	37	29	7,5	6,0	5,3	4,3
MSE 38/16,5	2 x 5	42	37	30	8,0	6,5	5,6	4,8
MSE 38/20,5	2 x 5/6	42	37	34	9,5	8,0	6,7	5,6
MSE 42/8,5	2 x 6	46	39	24	4,8	4,0	3,4	2,9
MSE 42/14,8	2 x 6	46	39	30	8,0	6,5	5,4	4,8
MSE 42/20	2 x 6	46	39	35,5	11,0	9,5	8,0	6,8
MSE 48/12,5	2 x 6	52	44	30,5	10	8	7,5	6,0
MSE 48/16,8	2 x 6	52	44	35	13,0	11,0	9,5	8,0
MSE 48/20,5	2 x 6	52	44	38,5	16,0	13,0	12,0	9,5
MSE 48/25,5	2 x 6	52	44	43,5	21,0	18,0	15,0	12,5
MSE 54/14	2 x 7	59	50	34,5	17	14	12,5	10,5
MSE 54/18,8	2 x 7	59	50	38,5	21	17	16	13
MSE 54/25,5	2 x 7	59	50	46	30	24	23	18
MSE 60/16	2 x 7	65	55	38,5	23	19	17	14
MSE 60/21	2 x 7/8	65	55	43,5	29	25	21	18
MSE 60/25	2 x 7/8	65	55	48	37	30	27	22
MSE 60/30	2 x 7/8	65	55	53	45	36	33	26
MSE 60/35	2 x 7/8	65	55	58	54	45	40	33
MSE 66/18	2 x 8	72	61	42,5	48	39	33	28
MSE 66/23	2 x 8	72	61	47,5	54	44	38	32
MSE 66/30	2 x 8	72	61	54,5	66	56	48	40
MSE 66/35	2 x 8	72	61	59,5	74	62	54	45
MSE 66/40	2 x 8	72	61	64,5	82	68	60	50

power table pcb transformers encapsulated MSE

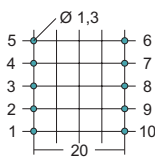
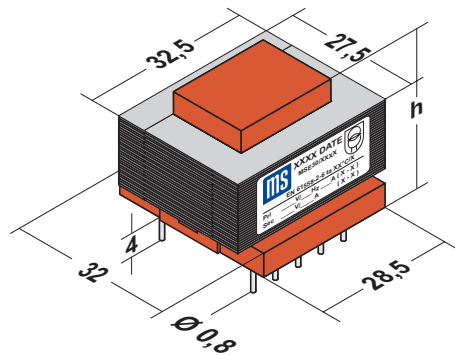
- * safety transformer satisfying EN 60742 (VDE 0551) / EN 61558-2-6 ($U_o < 50 V$)
- * construction with fully encapsulated windings; > 8 mm separation (cr and cl) between primary and secondary
- * approval according EN 61558, SEV, SEMKO, ENEC and CE sign
- * extremely small magnetic perturbation field due to optimized core geometry and very good power efficiency
- * maximum one or two windings primary respectively until four windings secondary
- * UL-approval E 182006 on demand (power reduction for UL)
- * advantageous price / quality ratio
- * automated production yields highest reliability
- * Zukunftssicher, da recyclebar
- * special version on demand
- * optional: temperature fuse / PTC / fail-safe / teperature switch from MSE 66
- * from MSE 78 with 4 distance bolt (h+1)



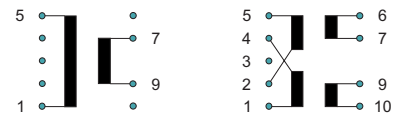
type	pins	dimensions[mm]			power[VA]			
		length	width	height	ta 40°C/B		ta 70°C/B	
		L	B	h	compakt	economy	compact	economy
MSE 78/27,5	2 x 5	84,5	71,5	56,5	93	78	67	56
MSE 78/36,5	2 x 5	84,5	71,5	65,5	116	98	84	70
MSE 78/45,5	2 x 5	84,5	71,5	75	142	122	100	86
MSE 84/29,5	2 x 7	91	77	61	115	98	85	72
MSE 84/43,5	2 x 7	91	77	75	155	135	115	100
MSE 96/35,7	2 x 7	104	88	71	215	175	160	130
MSE 96/45,7	2 x 7	104	88	81	260	220	190	162
MSE 96/59,7	2 x 7	104	88	95	325	275	240	200

type MSE 30 encapsulated

0,5 ... 3,4 VA



view on pin side
pin grid = 5 mm



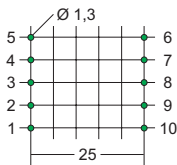
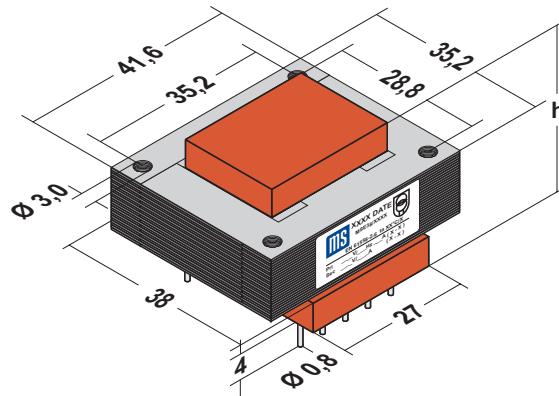
example for windings

MSE 30	type size [mm]	height h [mm]	power [VA]			
			ta 40°C/B		ta 70°C/B	
			compact	economy	compact	economy
MSE 30/5	16,5	0,7	-	0,5	-	
MSE 30/10,5	22	1,8	1,5	1,3	1,1	
MSE 30/12,5	24	2,3	1,9	1,7	1,4	
MSE 30/15,5	27	2,8	2,4	2,1	1,8	
MSE 30/18	30	3,4	3,0	2,6	2,3	

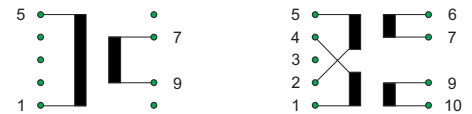
- * safety transformer satisfying EN 60742 (VDE 0551) / EN 61558-2-6 (U₀ < 50 V)
- * construction with fully encapsulated windings; > 8 mm separation (cr and cl) between primary and secondary
- * approval according EN 61558, SEV, SEMKO, ENEC and CE sign
- * UL-approval E 182006 on demand
- * U₀ > 50 V: insulating transformer according EN 61558-2-4
- * automated production yields highest reliability
- * extremely small magnetic perturbation field due to optimized core geometry and very good power efficiency
- * maximum one or two windings primary respectively secondary
- * optional: temperature fuse / PTC / fail-safe

type MSE 38 encapsulated

2,1 ... 9,5 VA



view on pin side
pin grid = 5 mm



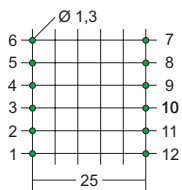
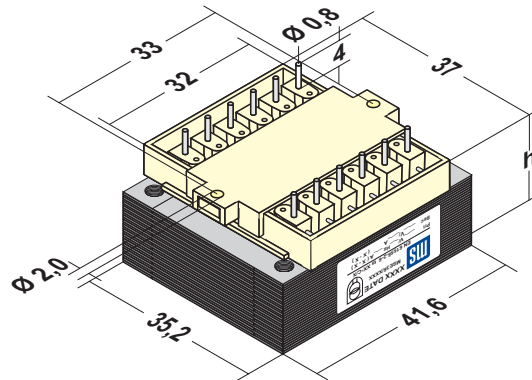
example for windings

MSE 38	type size [mm]	height h [mm]	power [VA]			
			ta 40°C/B		ta 70°C/B	
			compact	economy	compact	economy
MSE 38/7,5	21	3,6	3,0	2,6	2,1	
MSE 38/13,5	27	6,5	5,0	4,8	3,8	
MSE 38/16,5	30	8,0	6,5	5,6	4,8	
MSE 38/20,5	34	9,5	8,0	6,7	5,6	

- * safety transformer satisfying EN 60742 (VDE 0551) / EN 61558-2-6 (U₀ < 50 V)
- * construction with fully encapsulated windings; > 8 mm separation (cr and cl) between primary and secondary
- * approval according EN 61558, SEV, SEMKO, ENEC and CE sign
- * UL-approval E 182006 on demand
- * U₀ > 50 V: insulating transformer according EN 61558-2-4
- * automated production yields highest reliability
- * extremely small magnetic perturbation field due to optimized core geometry and very good power efficiency
- * maximum one or two windings primary respectively secondary
- * optional: temperature fuse / PTC / fail-safe

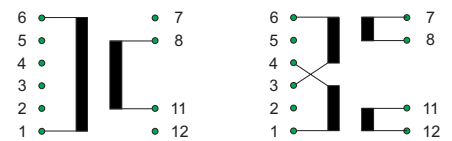
type MSE 38 (12 pins) encapsulated

3,8 ... 9,5 VA



optional pin grid: 27,5 mm

view on pin side
pin grid = 5 mm



example for windings

MSE 38	type size [mm]	height h [mm]	power [VA]			
			ta 40°C/B		ta 70°C/B	
			compact	economy	compact	economy
MSE 38/13,5	26,5	6,5	5,0	4,8	3,8	
MSE 38/15,5	29	7,5	6,0	5,3	4,3	
MSE 38/20,5	33,5	9,5	8,0	6,7	5,6	

- * safety transformer satisfying EN 60742 (VDE 0551) / EN 61558-2-6 (U₀ < 50 V)
- * construction with fully encapsulated windings; > 8 mm separation (cr and cl) between primary and secondary
- * approval according EN 61558, SEV, SEMKO, ENEC and CE sign
- * UL-approval E 182006 on demand
- * U₀ > 50 V: insulating transformer according EN 61558-2-4
- * automated production yields highest reliability
- * extremely small magnetic perturbation field due to optimized core geometry and very good power efficiency
- * maximum one or two windings primary respectively until three windings secondary
- * optional: temperature fuse / PTC / fail-safe
- * screw mounting with self tapping screw 2,5 mm

9708

technical changes reserved

Balti Trafo OÜ

Vihtra tee 3a · 87701 VÄNDRA, ESTONIA

phone: +372 44 71 660 · fax: +372 44 71 667

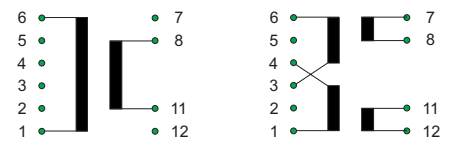
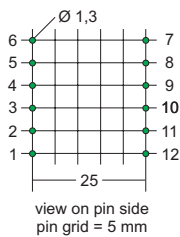
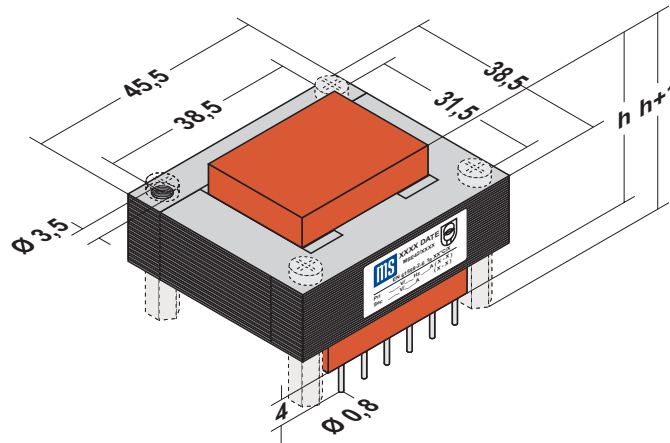
info@msbaltitrafo.ee

www.msbaltitrafo.ee

05.05

type MSE 42 encapsulated

2,9 ... 11 VA



example for windings

MSE 42	type size [mm]	height h [mm]	power [VA]			
			ta 40°C/B		ta 70°C/B	
			compact	economy	compact	economy
MSE 42/8,5	24	4,8	4,0	3,4	2,9	
MSE 42/14,8	30	8,0	6,5	5,6	4,8	
MSE 42/20	35,5	11,0	9,5	8,0	6,8	

- * safety transformer satisfying EN 60742 (VDE 0551) / EN 61558-2-6 (U₀ < 50 V)
- * construction with fully encapsulated windings; > 8 mm separation (cr and cl) between primary and secondary
- * approval according EN 61558, SEV, SEMKO, ENEC and CE sign
- * UL-approval E 182006 on demand
- * U₀ > 50 V: insulating transformer according EN 61558-2-4
- * automated production yields highest reliability
- * extremely small magnetic perturbation field due to optimized core geometry and very good power efficiency
- * maximum one or two windings primary respectively until three windings secondary
- * optional: temperature fuse / PTC / fail-safe
- * optional: with 4 distance bolt M3 x 9

9708

technical changes reserved

Balti Trafo OÜ

Vihtra tee 3a · 87701 VÄNDRA, ESTONIA

phone: +372 44 71 660 · fax: +372 44 71 667

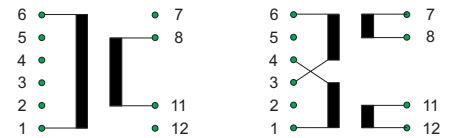
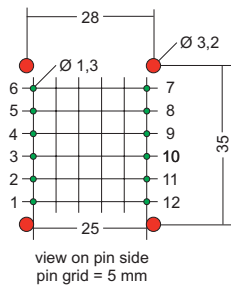
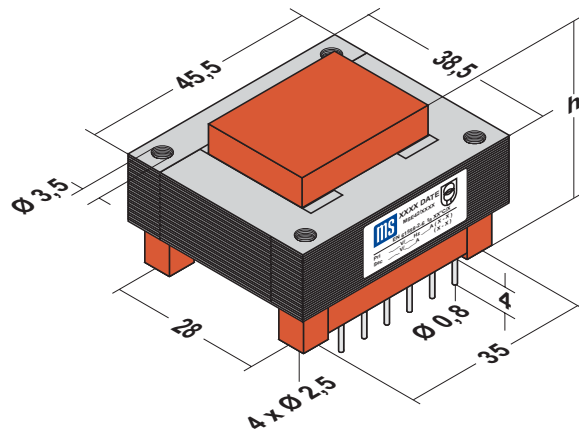
info@msbaltitransformers.de

www.msbaltitransformers.de

05.06

type MSE 42s encapsulated

4,8 ... 8 VA



example for windings

MSE 42	type size [mm]	height h [mm]	power [VA]			
			ta 40°C/B		ta 70°C/B	
			compact	economy	compact	economy
	MSE 42s/14,8	30,5	8,0	6,5	5,6	4,8

- * safety transformer satisfying EN 60742 (VDE 0551) / EN 61558-2-6 (U₀ < 50 V)
- * construction with fully encapsulated windings; > 8 mm separation (cr and cl) between primary and secondary
- * approval according EN 61558, SEV, SEMKO, ENEC and CE sign
- * UL-approval E 182006 on demand
- * U₀ > 50 V: insulating transformer according EN 61558-2-4
- * automated production yields highest reliability
- * extremely small magnetic perturbation field due to optimized core geometry and very good power efficiency
- * maximum one or two windings primary respectively until three windings secondary
- * mounting with screws B2,9 x 9,5 from solder side
- * optional: temperature fuse / PTC / fail-safe

9802

technical changes reserved

Balti Trafo OÜ

Vihtra tee 3a · 87701 VÄNDRA, ESTONIA

phone: +372 44 71 660 · fax: +372 44 71 667

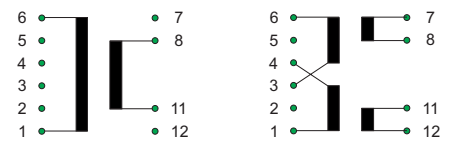
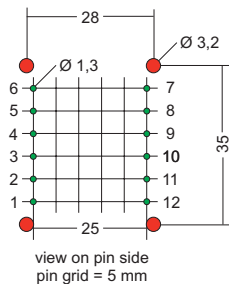
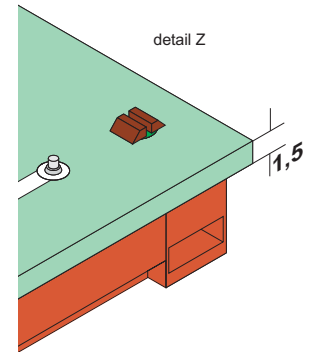
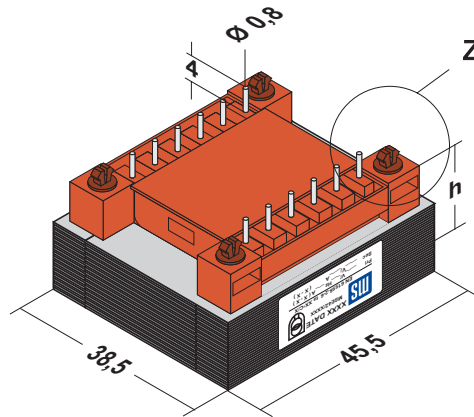
info@msbaltitrafo.ee

www.msbaltitrafo.ee

05.07

type MSE 42r encapsulated

4,8 ... 8 VA



example for windings

MSE 42	type size [mm]	height h [mm]	power [VA]			
			ta 40°C/B		ta 70°C/B	
			compact	economy	compact	economy
MSE 42r/14,8	30,5	8,0	6,5	5,6	4,8	

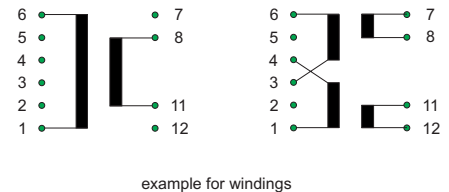
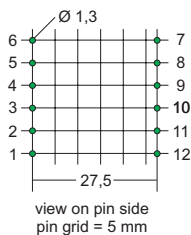
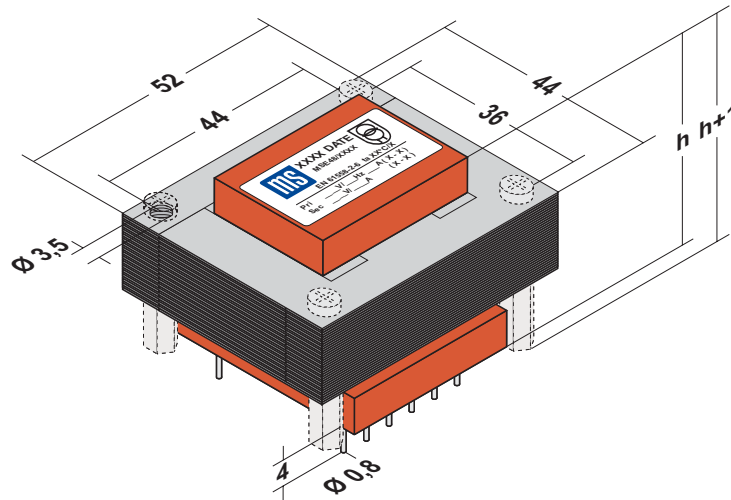
- * safety transformer satisfying EN 60742 (VDE 0551) / EN 61558-2-6 (U₀ < 50 V)
- * construction with fully encapsulated windings; > 8 mm separation (cr and cl) between primary and secondary
- * approval according EN 61558, SEV, SEMKO, ENEC and CE sign
- * UL-approval E 182006 on demand
- * U₀ > 50 V: insulating transformer according EN 61558-2-4
- * automated production yields highest reliability
- * extremely small magnetic perturbation field due to optimized core geometry and very good power efficiency
- * maximum one or two windings primary respectively until three windings secondary
- * snap-in mounting on the pcb board
- * optional: temperature fuse / PTC / fail-safe

9901

technical changes reserved

type MSE 48 encapsulated

6 ... 21 VA



MSE 48	type size [mm]	height h [mm]	power [VA]			
			ta 40°C/B		ta 70°C/B	
			compact	economy	compact	economy
MSE 48/12,5	30,5	10,0	8,0	7,5	6,0	
MSE 48/16,8	35	13,0	11,0	9,5	8,0	
MSE 48/20,5	39	16,0	13,0	12,0	9,5	
MSE 48/25,5	43,5	21,0	18,0	15,0	12,5	

- * safety transformer satisfying EN 60742 (VDE 0551) / EN 61558-2-6 (U₀ < 50 V)
- * construction with fully encapsulated windings; > 8 mm separation (cr and cl) between primary and secondary
- * approval according EN 61558, SEV, SEMKO, ENEC and CE sign
- * UL-approval E 182006 on demand
- * U₀ > 50 V: insulating transformer according EN 61558-2-4
- * automated production yields highest reliability
- * extremely small magnetic perturbation field due to optimized core geometry and very good power efficiency
- * maximum one or two windings primary respectively until three windings secondary
- * optional: temperature fuse / PTC / fail-safe
- * optional: with 4 distance bolt M3 x 10

9708

technical changes reserved

Balti Trafo OÜ

Vihtra tee 3a · 87701 VÄNDRA, ESTONIA

phone: +372 44 71 660 · fax: +372 44 71 667

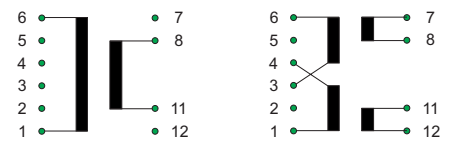
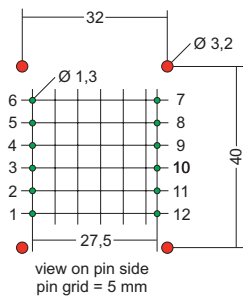
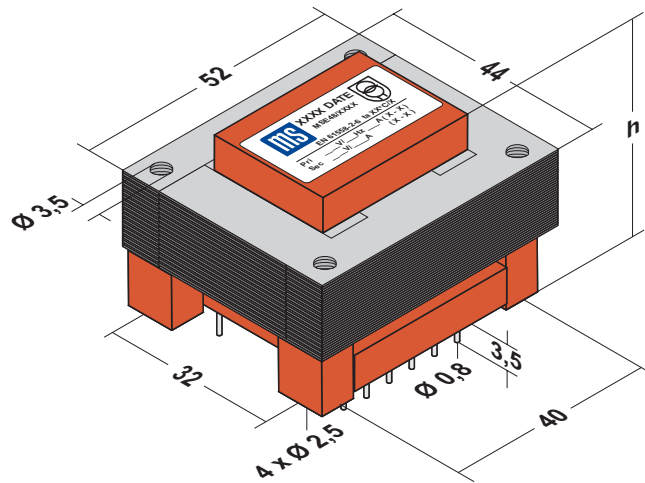
info@msbaltitrafo.ee

www.msbaltitrafo.ee

05.09

type MSE 48s encapsulated

8 ... 16 VA



example for windings

MSE 48	type size [mm]	height h [mm]	power [VA]			
			ta 40°C/B		ta 70°C/B	
			compact	economy	compact	economy
MSE 48s/16,8	35	13,0	11,0	9,5	8,0	
MSE 48s/20,5	39	16,0	13,0	12,0	9,5	

- * safety transformer satisfying EN 60742 (VDE 0551) / EN 61558-2-6 (U₀ < 50 V)
- * construction with fully encapsulated windings; > 8 mm separation (cr and cl) between primary and secondary
- * approval according EN 61558, SEV, SEMKO, ENEC and CE sign
- * UL-approval E 182006 on demand
- * U₀ > 50 V: insulating transformer according EN 61558-2-4
- * automated production yields highest reliability
- * extremely small magnetic perturbation field due to optimized core geometry and very good power efficiency
- * maximum one or two windings primary respectively until three windings secondary
- * mounting with screws B2,9 x 9,5 from solder side
- * optional: temperature fuse / PTC / fail-safe

9802

technical changes reserved

Balti Trafo OÜ

Vihtra tee 3a · 87701 VÄNDRA, ESTONIA

phone: +372 44 71 660 · fax: +372 44 71 667

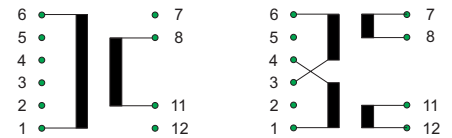
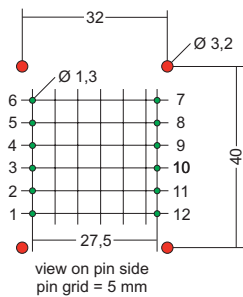
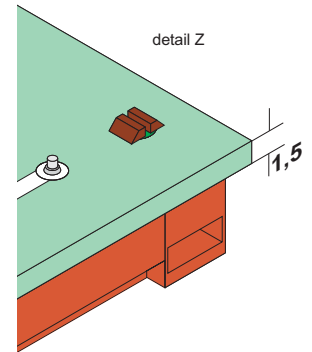
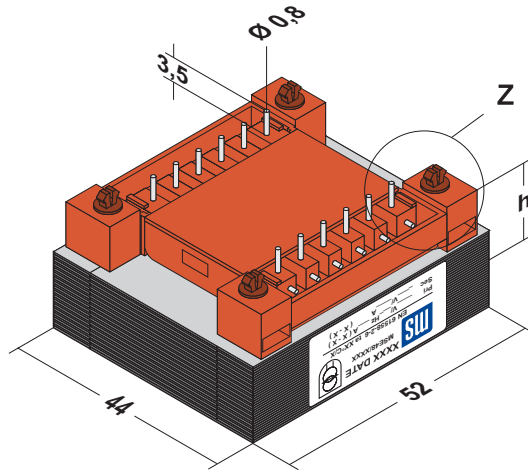
info@msbaltitrafo.ee

www.msbaltitrafo.ee

05.10

type MSE 48r encapsulated

8 ... 16 VA



example for windings

MSE 48	type size [mm]	height h [mm]	power [VA]			
			ta 40°C/B		ta 70°C/B	
			compact	economy	compact	economy
MSE 48r/16,8	35	13,0	11,0	9,5	8,0	
MSE 48r/20,5	39	16,0	13,0	12,0	9,5	

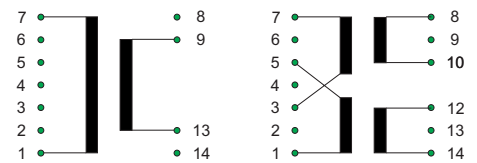
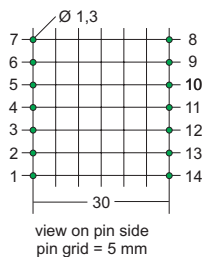
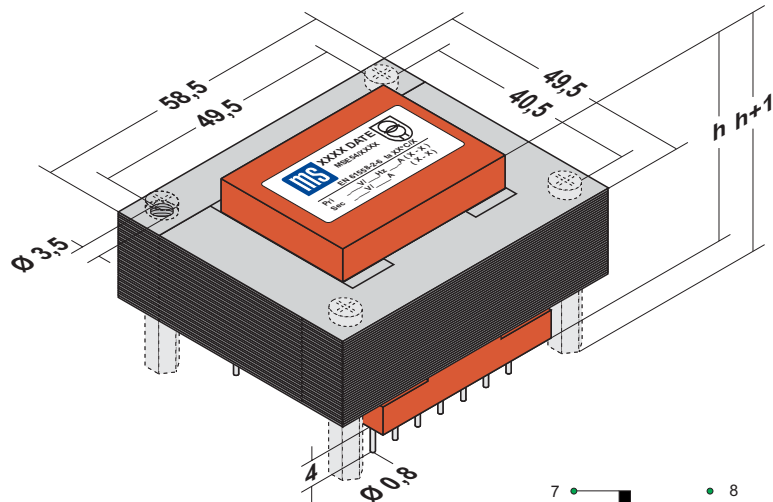
- * safety transformer satisfying EN 60742 (VDE 0551) / EN 61558-2-6 (U₀ < 50 V)
- * construction with fully encapsulated windings; > 8 mm separation (cr and cl) between primary and secondary
- * approval according EN 61558, SEV, SEMKO, ENEC and CE sign
- * UL-approval E 182006 on demand
- * U₀ > 50 V: insulating transformer according EN 61558-2-4
- * automated production yields highest reliability
- * extremely small magnetic perturbation field due to optimized core geometry and very good power efficiency
- * maximum one or two windings primary respectively until three windings secondary
- * snap-in mounting on the pcb board
- * optional: temperature fuse / PTC / fail-safe

9901

technical changes reserved

type MSE 54 encapsulated

10,5 ... 30 VA



MSE 54	type size [mm]	height h [mm]	power [VA]			
			ta 40°C/B		ta 70°C/B	
			compact	economy	compact	economy
	MSE 54/14	34,5	17	14	12,5	10,5
	MSE 54/18,8	38,5	21	17	16	13
	MSE 54/25,5	46	30	24	23	18

- * safety transformer satisfying EN 60742 (VDE 0551) / EN 61558-2-6 (U₀ < 50 V)
- * construction with fully encapsulated windings; > 8 mm separation (cr and cl) between primary and secondary
- * approval according EN 61558, SEV, SEMKO, ENEC and CE sign
- * UL-approval E 182006 on demand
- * U₀ > 50 V: insulating transformer according EN 61558-2-4
- * automated production yields highest reliability
- * extremely small magnetic perturbation field due to optimized core geometry and very good power efficiency
- * maximum one or two windings primary respectively until three windings secondary
- * optional: temperature fuse / PTC / fail-safe
- * optional: with 4 distance bolt M3 x 12

9708

technical changes reserved

Balti Trafo OÜ

Vihtra tee 3a · 87701 VÄNDRA, ESTONIA

phone: +372 44 71 660 · fax: +372 44 71 667

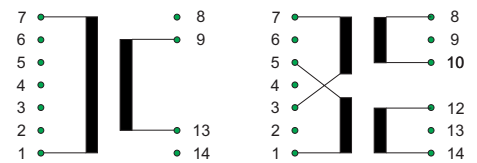
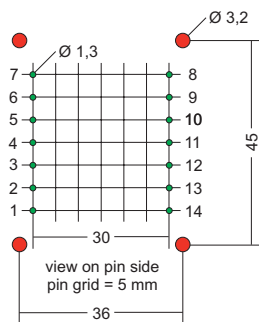
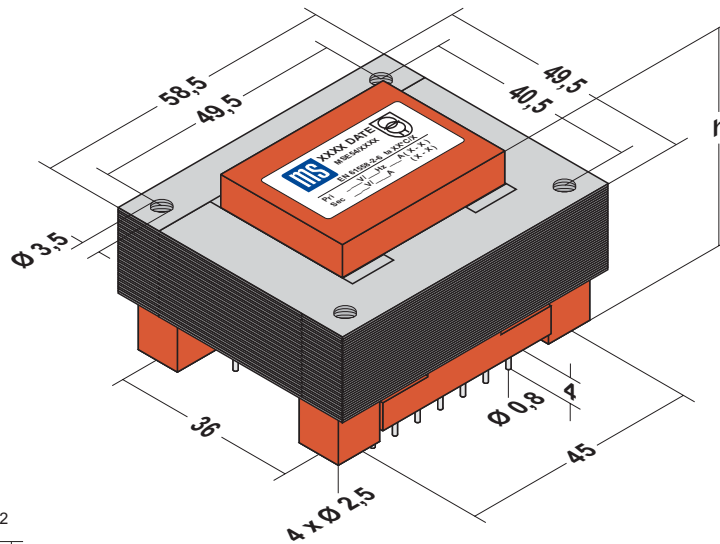
info@msbaltitrafo.ee

www.msbaltitrafo.ee

05.12

type MSE 54s encapsulated

13 ... 21 VA



example for windings

MSE 54	type size [mm]	height h [mm]	power [VA]			
			ta 40°C/B		ta 70°C/B	
			compact	economy	compact	economy
MSE 54s/18,8	40	21	17	16	13	

- * safety transformer satisfying EN 60742 (VDE 0551) / EN 61558-2-6 (U_o < 50 V)
- * construction with fully encapsulated windings; > 8 mm separation (cr and cl) between primary and secondary
- * approval according EN 61558, SEV, SEMKO, ENEC and CE sign
- * UL-approval E 182006 on demand
- * U_o > 50 V: insulating transformer according EN 61558-2-4
- * automated production yields highest reliability
- * extremely small magnetic perturbation field due to optimized core geometry and very good power efficiency
- * maximum one or two windings primary respectively until three windings secondary
- * mounting with screws B2,9 x 9,5 from solder side
- * optional: temperature fuse / PTC / fail-safe

9708

technical changes reserved

Balti Trafo OÜ

Vihtra tee 3a · 87701 VÄNDRA, ESTONIA

phone: +372 44 71 660 · fax: +372 44 71 667

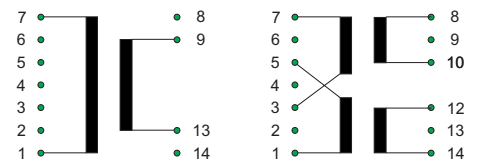
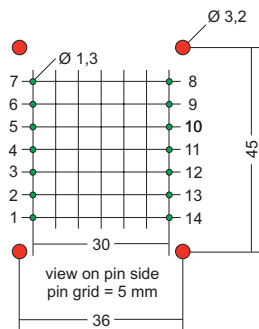
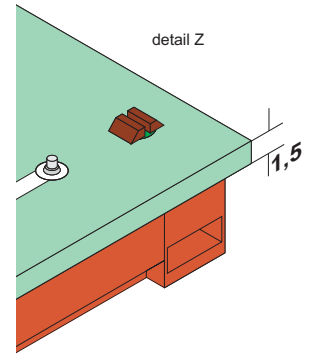
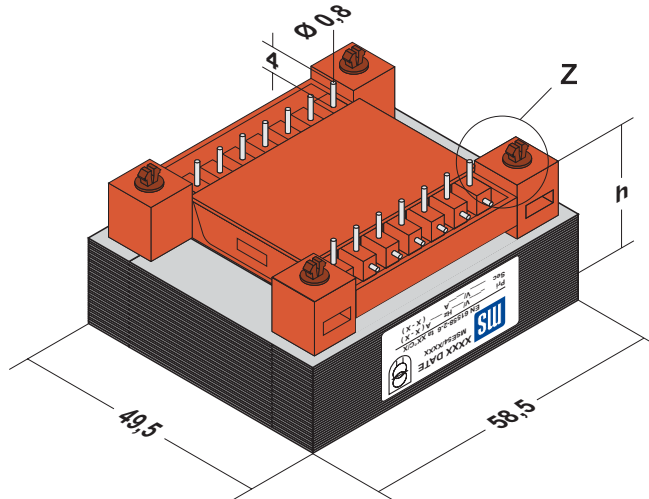
info@msbaltitrafo.ee

www.msbaltitrafo.ee

05.13

type MSE 54r encapsulated

13 ... 21 VA



MSE 54	type size [mm]	height h [mm]	power [VA]			
			ta 40°C/B		ta 70°C/B	
			compact	economy	compact	economy
	MSE 54r/18,8	40	21	17	16	13

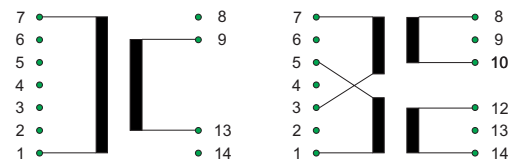
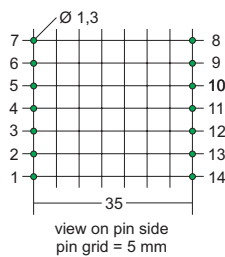
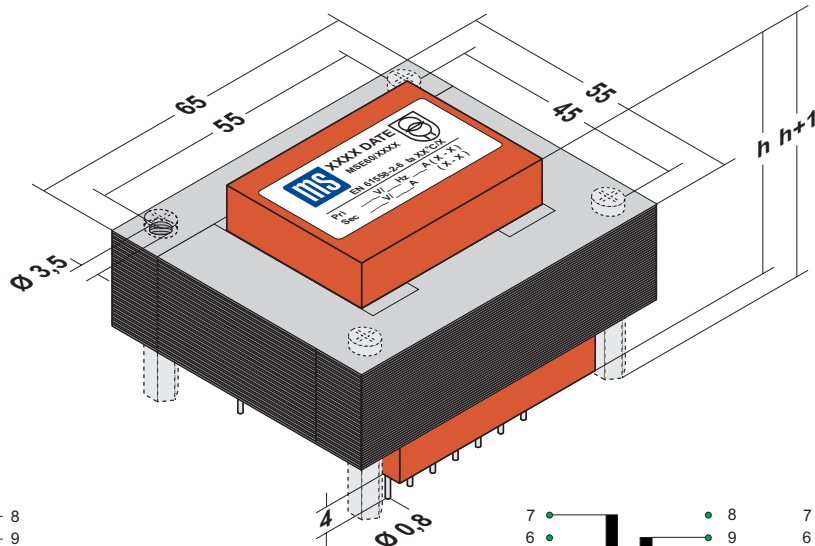
- * safety transformer satisfying EN 60742 (VDE 0551) / EN 61558-2-6 (U_o < 50 V)
- * construction with fully encapsulated windings; > 8 mm separation (cr and cl) between primary and secondary
- * approval according EN 61558, SEV, SEMKO, ENEC and CE sign
- * UL-approval E 182006 on demand
- * U_o > 50 V: insulating transformer according EN 61558-2-4
- * automated production yields highest reliability
- * extremely small magnetic perturbation field due to optimized core geometry and very good power efficiency
- * maximum one or two windings primary respectively until three windings secondary
- * snap-in mounting on the pcb board
- * optional: temperature fuse / PTC / fail-safe

9901

technical changes reserved

type MSE 60 encapsulated

14 ... 54 VA



example for windings

MSE 60	type size [mm]	height h [mm]	power [VA]			
			ta 40°C/B		ta 70°C/B	
			compact	economy	compact	economy
	MSE 60/16	38,5	23	19	17	14
	MSE 60/21	43,5	29	25	21	18
	MSE 60/25	48	37	30	27	22
	MSE 60/30	53	45	36	33	26
	MSE 60/35	58	54	45	40	33

- * safety transformer satisfying EN 60742 (VDE 0551) / EN 61558-2-6 (U₀ < 50 V)
- * construction with fully encapsulated windings; > 8 mm separation (cr and cl) between primary and secondary
- * approval according EN 61558, SEV, SEMKO, ENEC and CE sign
- * UL-approval E 182006 on demand
- * U₀ > 50 V: insulating transformer according EN 61558-2-4
- * automated production yields highest reliability
- * extremely small magnetic perturbation field due to optimized core geometry and very good power efficiency
- * maximum one or two windings primary respectively until four windings secondary
- * optional: temperature fuse / PTC / fail-safe
- * optional: with 4 distance bolt M3 x 13

9708

technical changes reserved

Balti Trafo OÜ

Vihtra tee 3a · 87701 VÄNDRA, ESTONIA

phone: +372 44 71 660 · fax: +372 44 71 667

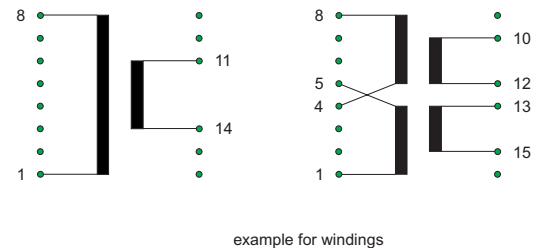
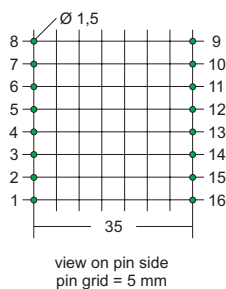
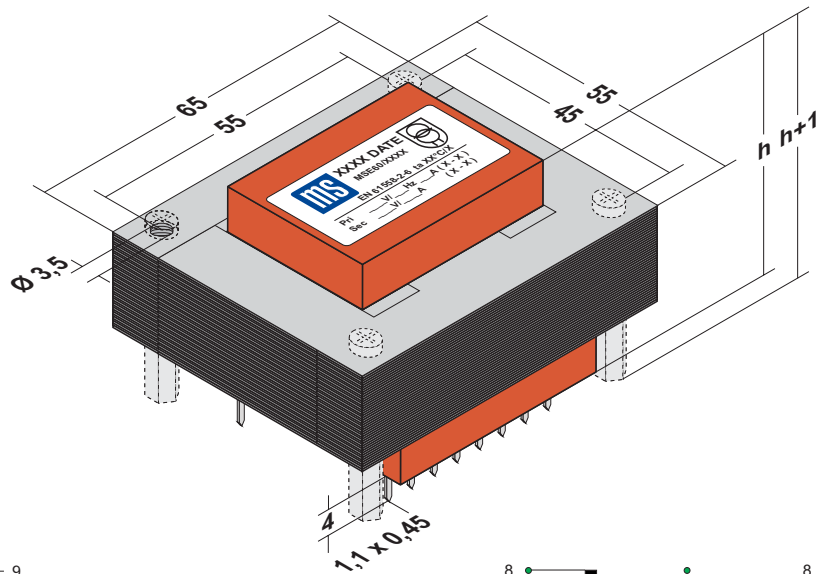
info@msbaltitransformers.de

www.msbaltitransformers.de

05.15

type MSE 60 (16 pins) encapsulated

18 ... 54 VA



MSE 60	type size [mm]	height h [mm]	power [VA]			
			ta 40°C/B		ta 70°C/B	
			compact	economy	compact	economy
	MSE 60/21	43,5	29	25	21	18
	MSE 60/25	48	37	30	27	22
	MSE 60/30	53	45	36	33	26
	MSE 60/35	58	54	45	40	33

- * safety transformer satisfying EN 60742 (VDE 0551) / EN 61558-2-6 (U_o < 50 V)
- * construction with fully encapsulated windings; > 8 mm separation (cr and cl) between primary and secondary
- * approval according EN 61558, SEV, SEMKO, ENEC and CE sign
- * UL-approval E 182006 on demand
- * U_o > 50 V: insulating transformer according EN 61558-2-4
- * automated production yields highest reliability
- * extremely small magnetic perturbation field due to optimized core geometry and very good power efficiency
- * maximum one or two windings primary respectively until four windings secondary
- * optional: temperature fuse / PTC / fail-safe
- * optional: with 4 distance bolt M3 x 13

9708

technical changes reserved

Balti Trafo OÜ

Vihtra tee 3a · 87701 VÄNDRA, ESTONIA

phone: +372 44 71 660 · fax: +372 44 71 667

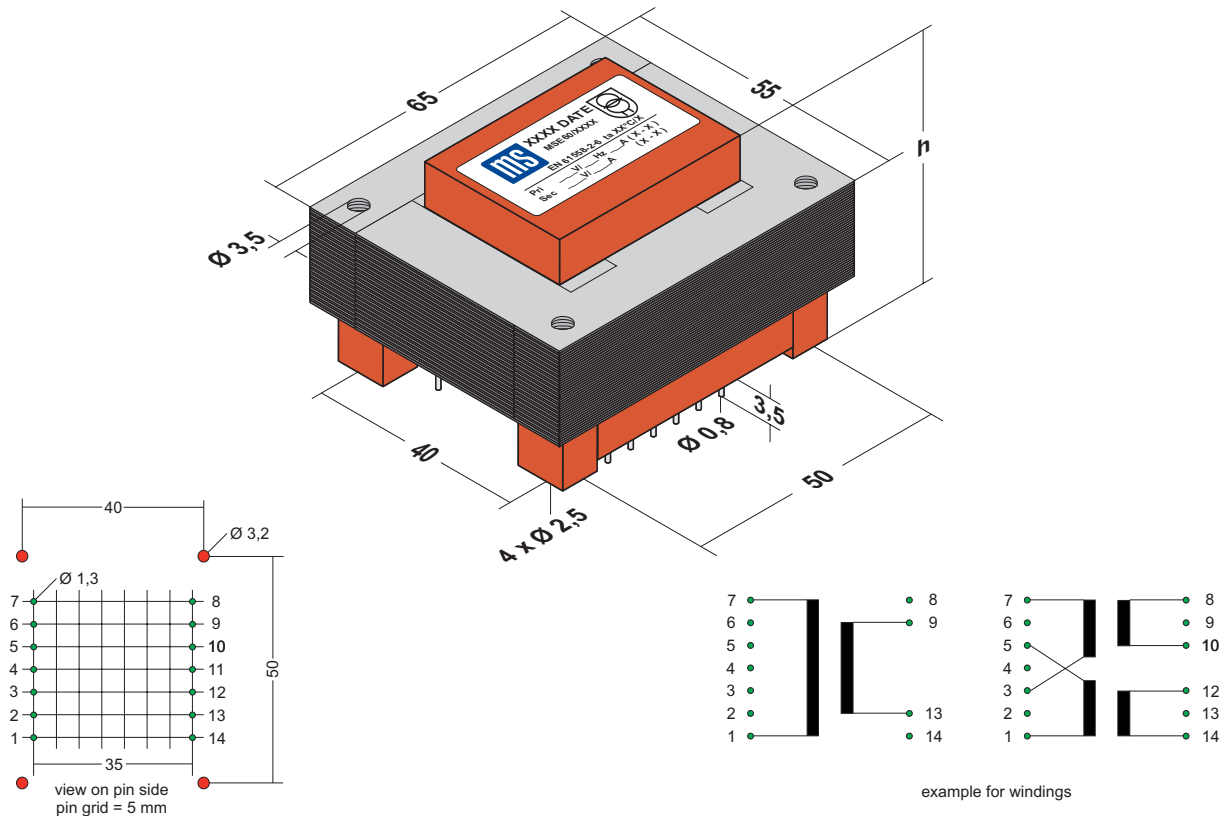
info@msbaltitrafo.ee

www.msbaltitrafo.ee

05.16

type MSE 60s encapsulated

18 ... 37 VA



MSE 60	type size [mm]	height h [mm]	power [VA]			
			ta 40°C/B		ta 70°C/B	
			compact	economy	compact	economy
	MSE 60s/21	43,5	29	25	21	18
	MSE 60s/25	48	37	30	27	22

- * safety transformer satisfying EN 60742 (VDE 0551) / EN 61558-2-6 (U₀ < 50 V)
- * construction with fully encapsulated windings; > 8 mm separation (cr and cl) between primary and secondary
- * approval according EN 61558, SEV, SEMKO, ENEC and CE sign
- * UL-approval E 182006 on demand
- * U₀ > 50 V: insulating transformer according EN 61558-2-4
- * automated production yields highest reliability
- * extremely small magnetic perturbation field due to optimized core geometry and very good power efficiency
- * maximum one or two windings primary respectively until three windings secondary
- * mounting with screws B2,9 x 9,5 from solder side
- * optional: temperature fuse / PTC / fail-safe

9802

technical changes reserved

Balti Trafo OÜ

Vihtra tee 3a · 87701 VÄNDRA, ESTONIA

phone: +372 44 71 660 · fax: +372 44 71 667

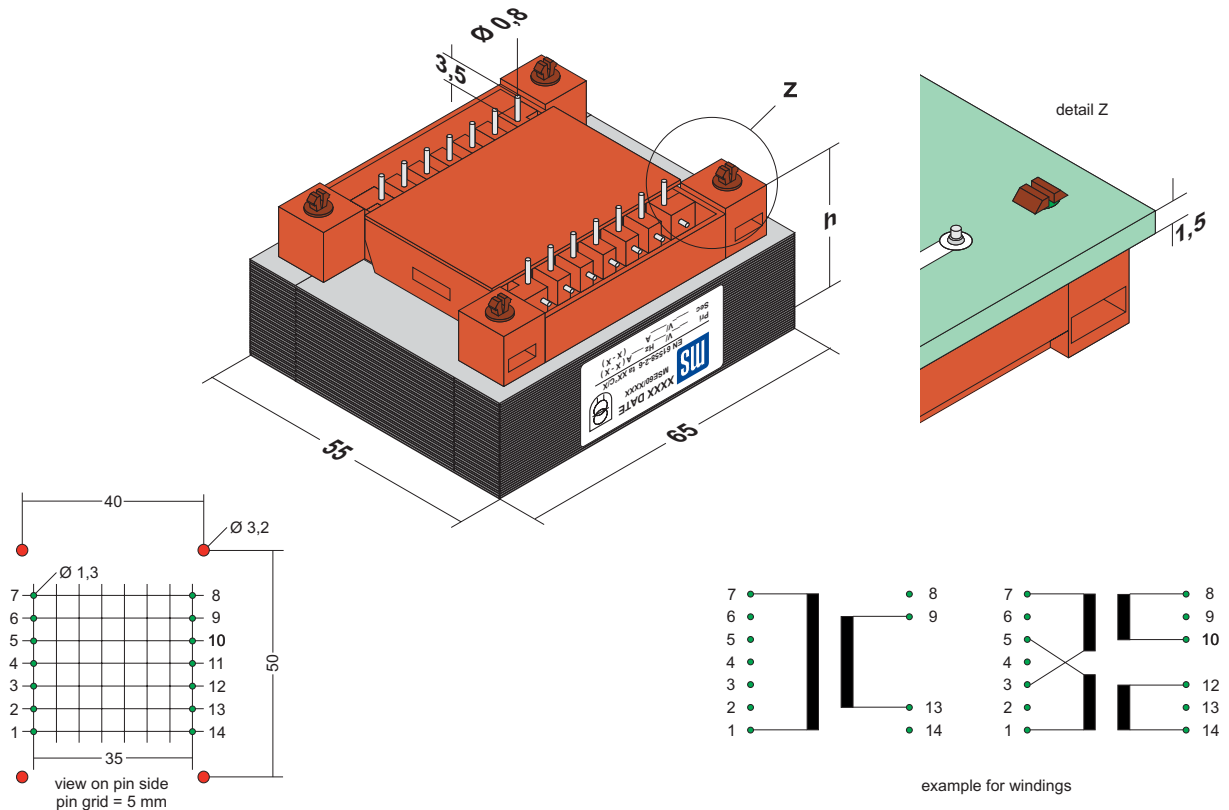
info@msbaltitrafo.ee

www.msbaltitrafo.ee

05.17

type MSE 60r encapsulated

18 ... 37 VA



MSE 60	type size [mm]	height h [mm]	power [VA]			
			ta 40°C/B		ta 70°C/B	
			compact	economy	compact	economy
MSE 60r/21	43,5	29	25	21	18	
MSE 60r/25	48	37	30	27	22	

- * safety transformer satisfying EN 60742 (VDE 0551) / EN 61558-2-6 (U_o < 50 V)
- * construction with fully encapsulated windings; > 8 mm separation (cr and cl) between primary and secondary
- * approval according EN 61558, SEV, SEMKO, ENEC and CE sign
- * UL-approval E 182006 on demand
- * U_o > 50 V: insulating transformer according EN 61558-2-4
- * automated production yields highest reliability
- * extremely small magnetic perturbation field due to optimized core geometry and very good power efficiency
- * maximum one or two windings primary respectively until three windings secondary
- * snap-in mounting on the pcb board
- * optional: temperature fuse / PTC / fail-safe

9901

technical changes reserved

Balti Trafo OÜ

Vihtra tee 3a · 87701 VÄNDRA, ESTONIA

phone: +372 44 71 660 · fax: +372 44 71 667

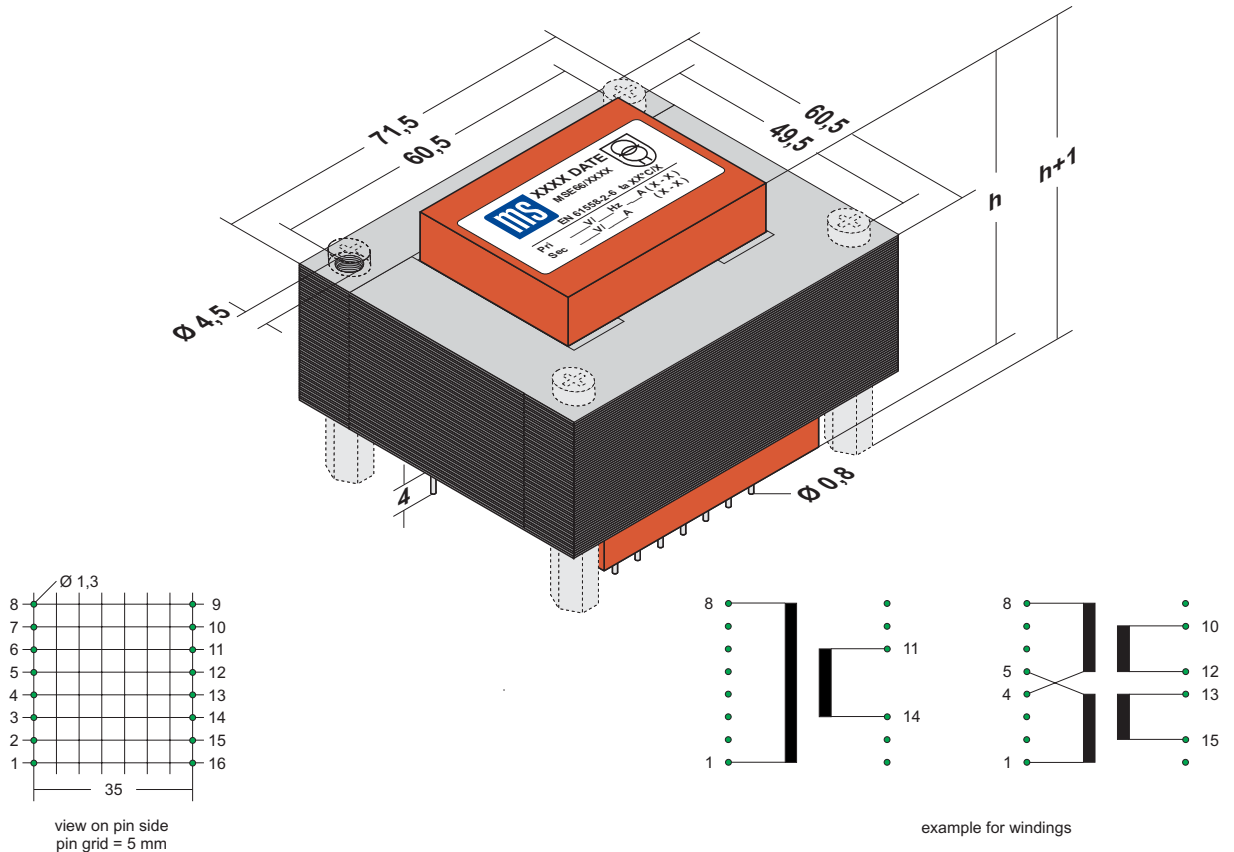
info@msbaltitrafo.ee

www.msbaltitrafo.ee

05.18

type MSE 66 encapsulated

28 ... 82 VA



MSE 66	type size [mm]	height h [mm]	power [VA]			
			ta 40°C/B		ta 70°C/B	
			compact	economy	compact	economy
	MSE 66/18	42,5	48	39	33	28
	MSE 66/23	47,5	54	44	38	32
	MSE 66/30	54,5	66	56	48	40
	MSE 66/35	59,5	74	62	54	45
	MSE 66/40	64,5	82	68	60	50

- * safety transformer satisfying EN 60742 (VDE 0551) / EN 61558-2-6 (U₀ < 50 V)
- * construction with fully encapsulated windings; > 8 mm separation (cr and cl) between primary and secondary
- * approval according EN 61558, SEV, SEMKO, ENEC and CE sign
- * UL-approval E 182006 on demand
- * U₀ > 50 V: insulating transformer according EN 61558-2-4
- * automated production yields highest reliability
- * extremely small magnetic perturbation field due to optimized core geometry and very good power efficiency
- * maximum one or two windings primary respectively until four windings secondary
- * optional: temperature fuse / PTC / fail-safe
- * optional: with 4 distance bolt M4 x 14

9708

technical changes reserved

Balti Trafo OÜ

Vihtra tee 3a · 87701 VÄNDRA, ESTONIA

phone: +372 44 71 660 · fax: +372 44 71 667

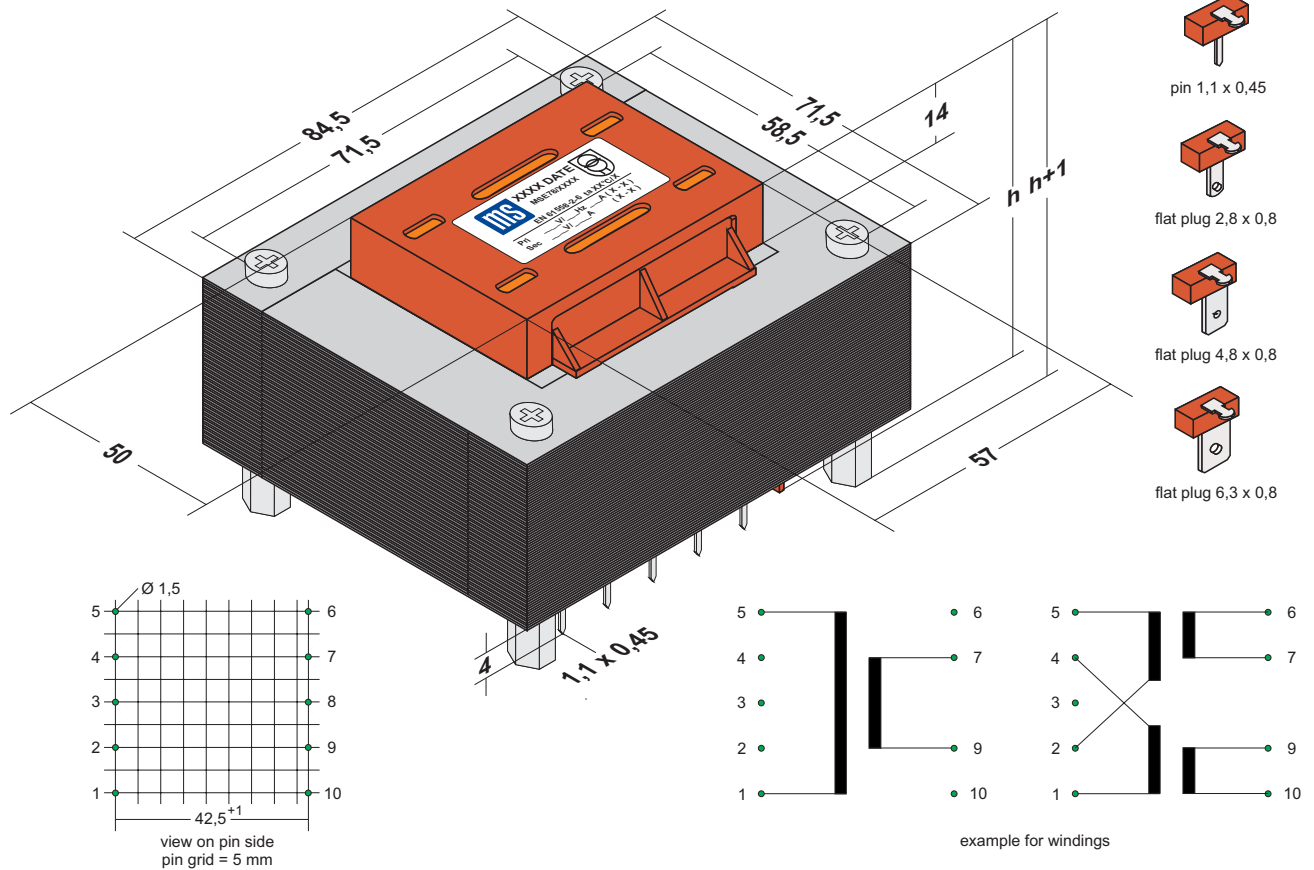
info@msbaltitrafo.ee

www.msbaltitrafo.ee

05.19

type MSE 78 encapsulated

56 ... 142 VA



MSE 78	type size [mm]	height h [mm]	power [VA]			
			ta 40°C/B		ta 70°C/B	
			compact	economy	compact	economy
MSE 78/27,5	56,5	93	78	67	56	
MSE 78/36,5	65,5	116	98	84	70	
MSE 78/45,5	75	142	122	100	86	

- * safety transformer satisfying EN 60742 (VDE 0551) / EN 61558-2-6 (U₀ < 50 V)
- * construction with fully encapsulated windings; > 8 mm separation (cr and cl) between primary and secondary
- * approval according EN 61558, SEV, SEMKO, ENEC and CE sign
- * UL-approval E 182006 on demand
- * U₀ > 50 V: insulating transformer according EN 61558-2-4
- * automated production yields highest reliability
- * extremely small magnetic perturbation field due to optimized core geometry and very good power efficiency
- * maximum one or two windings primary respectively secondary
- * optional: temperature fuse / PTC / fail-safe
- * optional: with 4 distance bolt M4 x 16 at print version

9708

technical changes reserved

Balti Trafo OÜ

Vihtra tee 3a · 87701 VÄNDRA, ESTONIA

phone: +372 44 71 660 · fax: +372 44 71 667

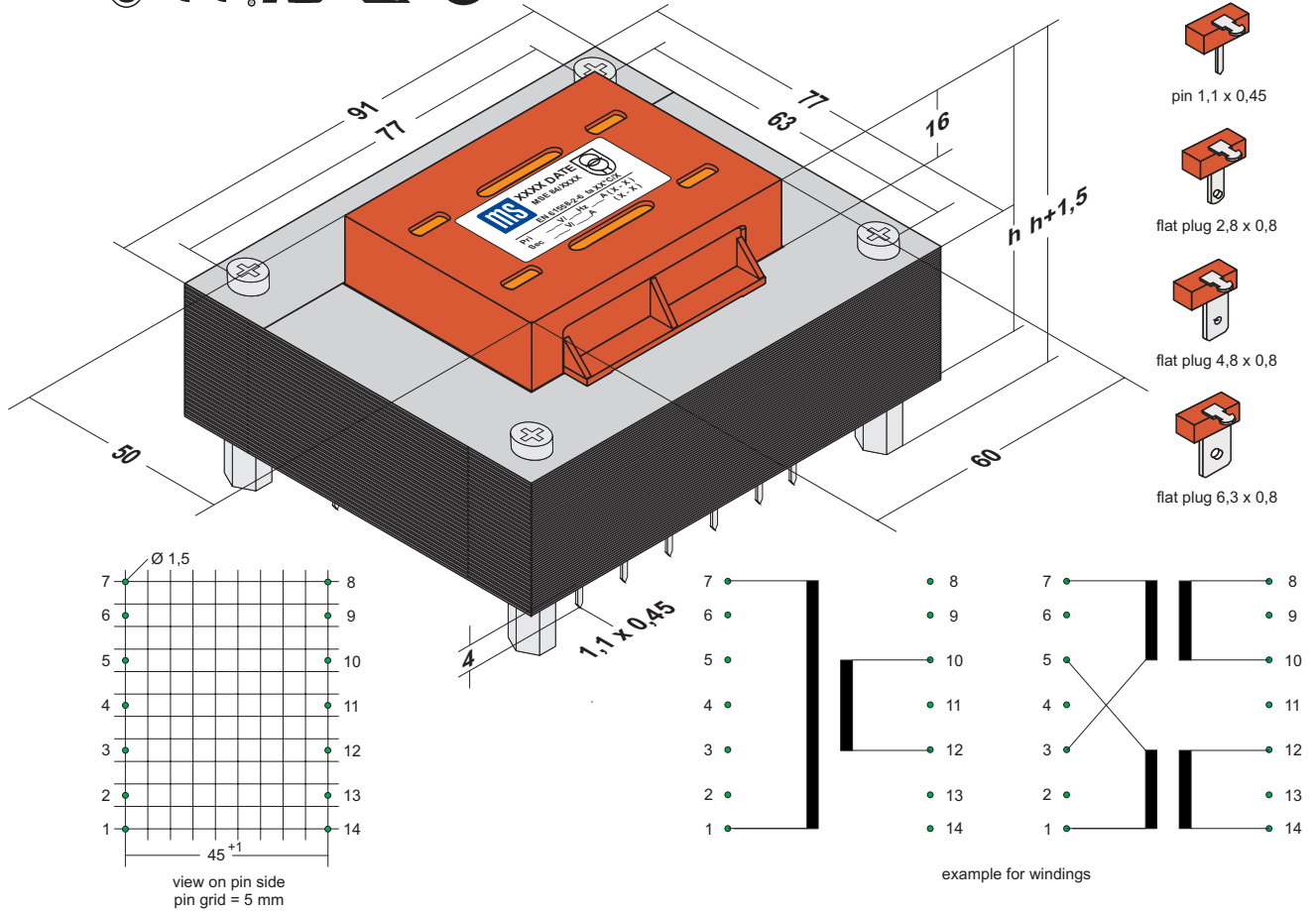
info@msbaltitrafo.ee

www.msbaltitrafo.ee

05.20

type MSE 84 encapsulated

72 ... 155 VA



MSE 84	type size [mm]	height h [mm]	power [VA]			
			ta 40°C/B		ta 70°C/B	
			compact	economy	compact	economy
MSE 84/29,5	61	115	98	85	72	
MSE 84/43,5	75	155	135	115	100	

- * safety transformer satisfying EN 60742 (VDE 0551) / EN 61558-2-6 (U₀ < 50 V)
- * construction with fully encapsulated windings; > 8 mm separation (cr and cl) between primary and secondary
- * approval according EN 61558, SEV, SEMKO, ENEC and CE sign
- * UL-approval E 182006 on demand
- * U₀ > 50 V: insulating transformer according EN 61558-2-4
- * automated production yields highest reliability
- * extremely small magnetic perturbation field due to optimized core geometry and very good power efficiency
- * maximum one or two windings primary respectively three windings secondary
- * optional: temperature fuse / PTC / fail-safe
- * optional: with 4 distance bolt M4 x 18 at print version

9802

technical changes reserved

Balti Trafo OÜ

Vihtra tee 3a · 87701 VÄNDRA, ESTONIA

phone: +372 44 71 660 · fax: +372 44 71 667

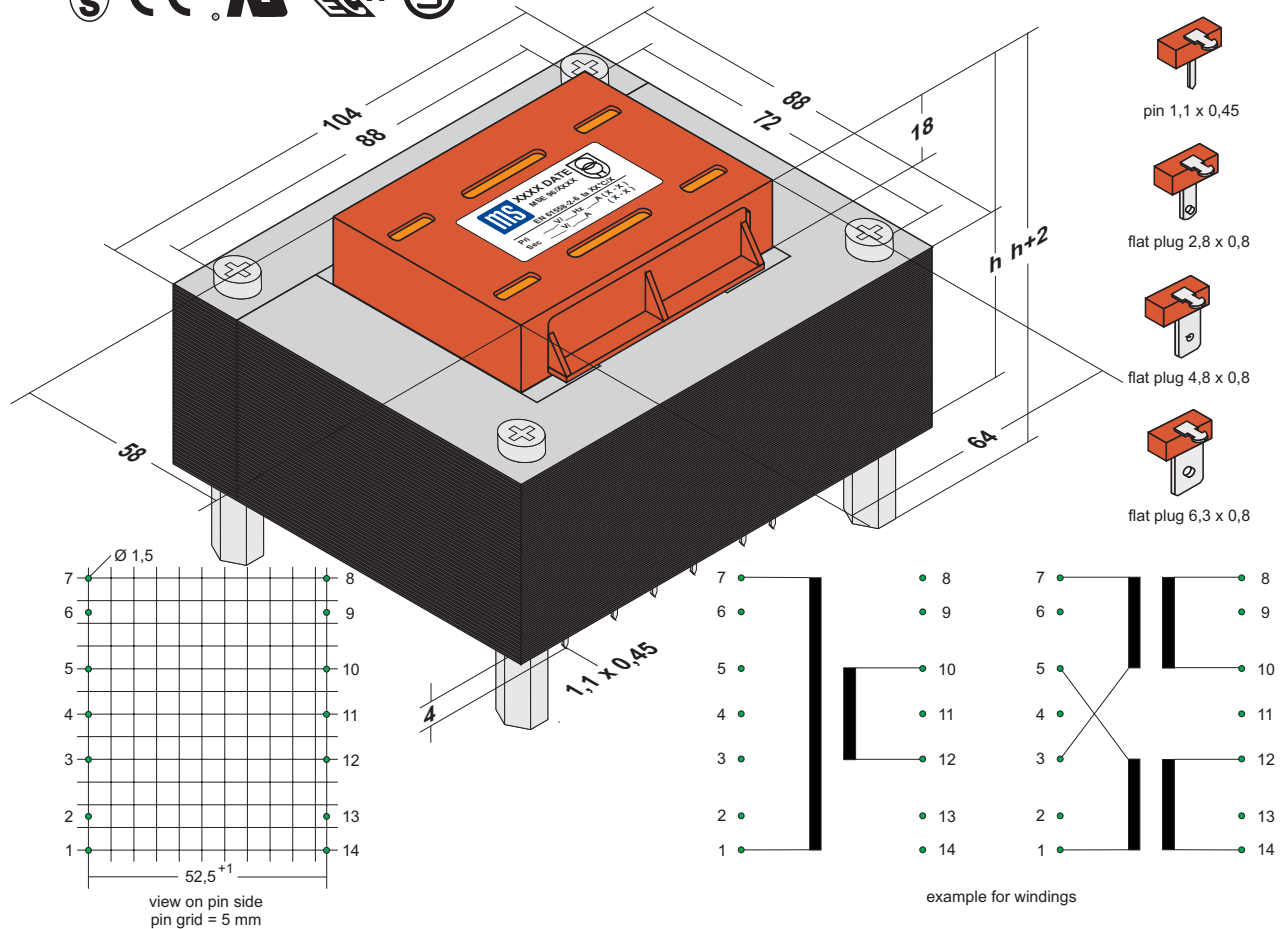
info@msbaltitrafo.ee

www.msbaltitrafo.ee

05.21

type MSE 96 encapsulated

130 ... 325 VA



MSE 96	type size [mm]	height h [mm]	power [VA]			
			ta 40°C/B		ta 70°C/B	
			compact	economy	compact	economy
	MSE 96/35,7	71	215	175	160	130
	MSE 96/45,7	81	260	220	190	162
	MSE 96/59,7	95	325	275	240	200

- * safety transformer satisfying EN 60742 (VDE 0551) / EN 61558-2-6 (U₀ < 50 V)
- * construction with fully encapsulated windings; > 8 mm separation (cr and cl) between primary and secondary
- * approval according EN 61558, SEV, SEMKO, ENEC and CE sign
- * UL-approval E 182006 on demand
- * U₀ > 50 V: insulating transformer according EN 61558-2-4
- * automated production yields highest reliability
- * extremely small magnetic perturbation field due to optimized core geometry and very good power efficiency
- * maximum one or two windings primary respectively three windings secondary
- * optional: temperature fuse / PTC / fail-safe
- * optional: with 4 distance bolt M5 x 20 at print version

9802

technical changes reserved

Balti Trafo OÜ

Vihtra tee 3a · 87701 VÄNDRA, ESTONIA

phone: +372 44 71 660 · fax: +372 44 71 667

info@msbaltitrafo.ee

www.msbaltitrafo.ee

05.22