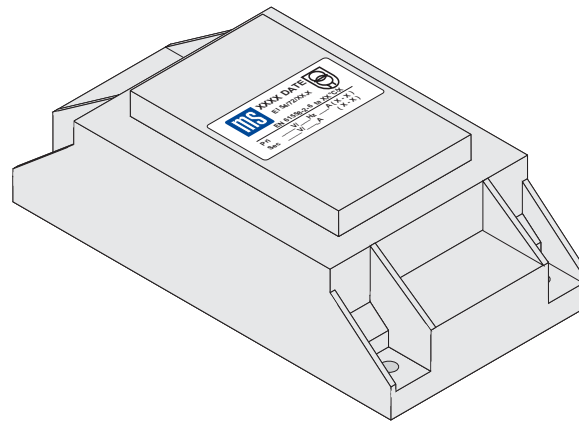


power table pcb transformers potted EI long

- * safety transformer satisfying EN 61558-2-6 ($U_o < 50$ V)
- * construction in vacuum potted double chamber style
- * complete construction with UL-approved material
- * $U_o > 50$ V: insulating transformer satisfying EN 61558-2-4
- * maximum one or two windings primary respectively until six windings secondary
- * advantageous price / quality ratio
- * automated production yields highest reliability
- * special version on demand
- * optional: temperature fuse / PTC / fail-safe - from EI 54/72 temperature switch or miniature fuse



(approvals in preparation)



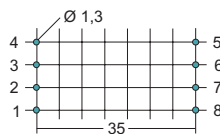
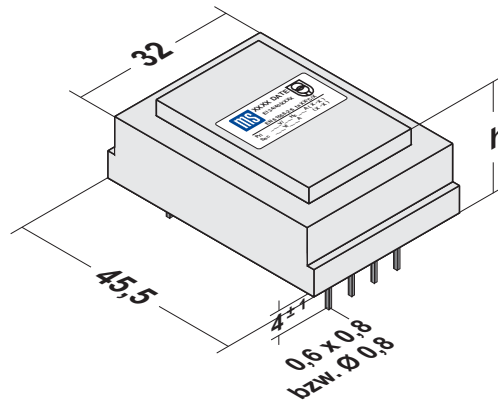
type	pins	dimaensions [mm]			power [VA]			
		length L	width B	height h	ta 40°C/B		ta 70°C/B	
					compact	economy	compact	economy
EI 30/40/5,5	2 x 4	45,5	32	16,2	1,9	1,6	1,5	1,2
EI 30/40/7,5	2 x 4	45,5	32	18,1	2,7	2,2	2,0	1,6
EI 30/40/10,5	2 x 4	45,5	32	21	4,0	3,2	3,0	2,4
EI 30/40/16	2 x 4	45,5	32	26,9	6,5	5,5	5,0	4,0
EI 30/40/26	2 x 4	45,5	32	36,7	10,0	8,5	8,0	6,0
EI 54/72/18,8	2 x 6	115	60	43	35	28	26	21
EI 54/72/32,8	2 x 6	115	60	57	65	52	48	40
EI 60/80/21	2 x 6	121,5	66	47,5	55	45	41	34
EI 60/80/31	2 x 6	121,5	66	57	70	58	52	43
EI 66/88/18,8	2 x 6	124	71	49,1	60	50	45	38
EI 66/88/34	2 x 6	124	71	63,3	110	90	82	67
EI 78/104/27,5	2 x 7	147	83,5	63,5	140	115	105	85
EI 78/104/36,5	2 x 7	147	83,5	72,5	200	160	150	120
EI 84/112/29,5	2 x 7	151	89,5	67,1	190	155	145	115
EI 84/112/43,5	2 x 7	151	89,5	81,1	245	200	185	150

type EI 30/40 potted

1,2 ... 10 VA



(approvals in preparation)



view on pin side
pin grid = 5 mm




example for windings

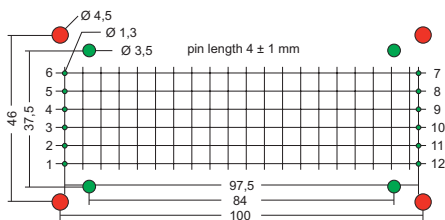
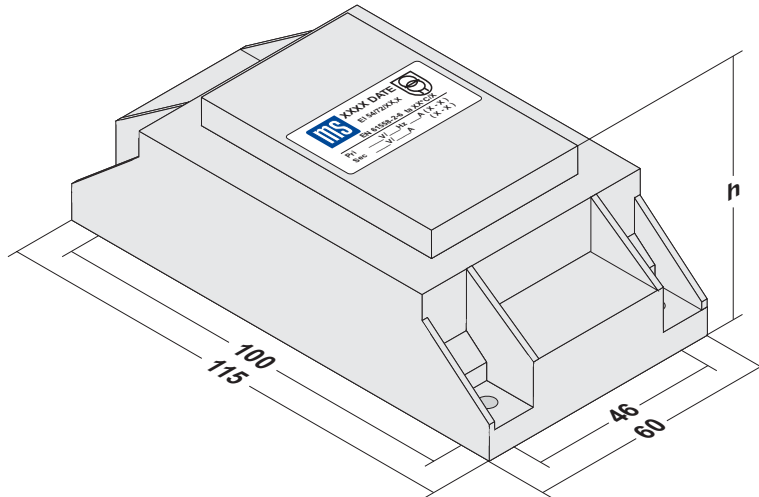
EI 30/40	type size [mm]	height h [mm]	power [VA]			
			ta 40°C/B		ta 70°C/B	
			compact	economy	compact	economy
	EI 30/40/5,5	16,2	1,9	1,6	1,5	1,2
	EI 30/40/7,5	18,1	2,7	2,2	2,0	1,6
	EI 30/40/10,5	21	4,0	3,2	3,0	2,4
	EI 30/40/16,5	26,9	6,5	5,5	5,0	4,0
	EI 30/40/26	36,7	10,0	8,5	8,0	6,0

- * safety transformer satisfying EN 60742 (VDE 0551) / EN 61558-2-6 (U_o < 50 V)
- * construction in vacuum potted double chamber style
- * complete construction with UL-approved material
- * U_o > 50 V: insulating transformer satisfying EN 61558-2-4
- * advantageous price / quality ratio
- * automated production yields highest reliability
- * maximum one or two windings primary respectively secondary
- * optional: temperature fuse / PTC / fail-safe

type EI 54/72 potted

21 ... 65 VA


 (approvals in preparation)



view on pin side
pin grid = 5 mm




example for windings

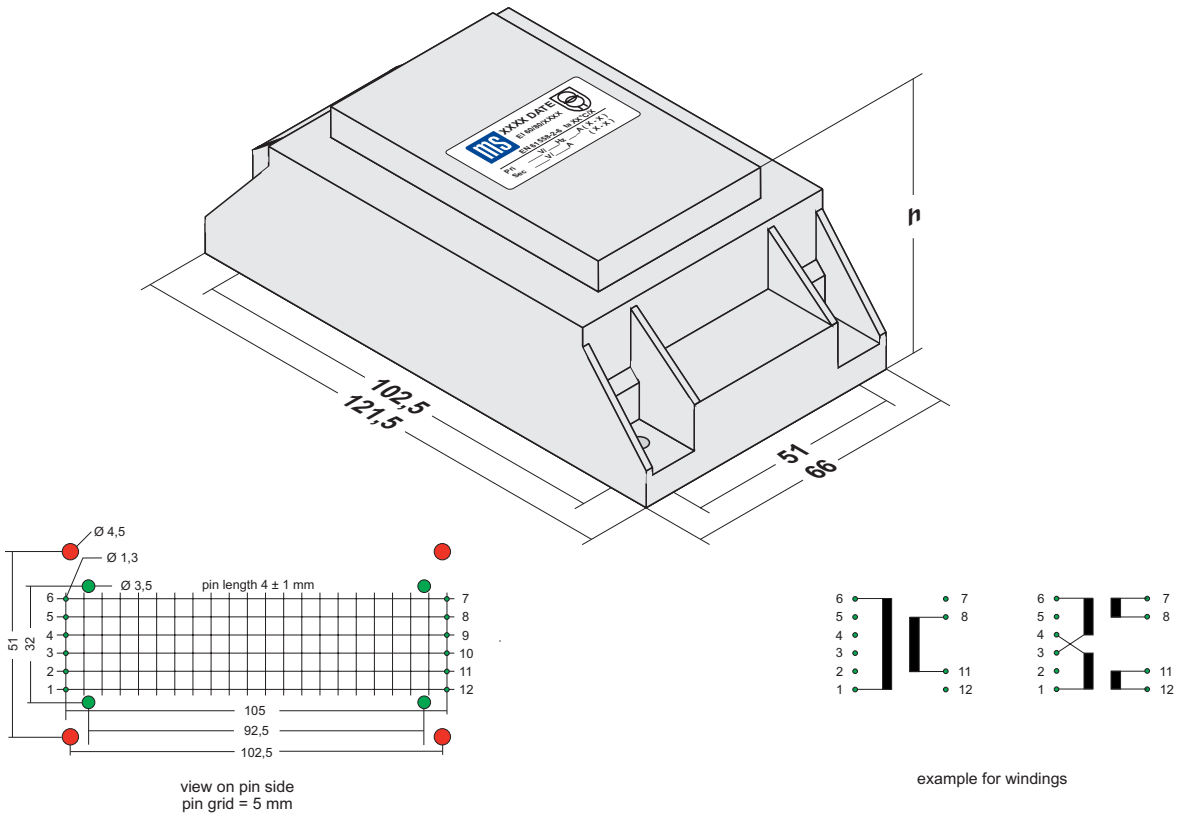
EI 54/72	type size [mm]	height h [mm]	power [VA]			
			ta 40°C/B		ta 70°C/B	
			compact	economy	compact	economy
	EI 54/72/18,8	43	35	28	26	21
	EI 54/72/32,8	57	65	52	48	40

- * safety transformer satisfying EN 60742 (VDE 0551) / EN 61558-2-6 ($U_o < 50$ V)
- * construction in vacuum potted double chamber style
- * approval according EN 61558, SEV, SEMKO, ENEC and CE sign
- * complete construction with UL-approved material
- * $U_o > 50$ V: insulating transformer satisfying EN 61558-2-4
- * advantageous price / quality ratio
- * automated production yields highest reliability
- * maximum one or two windings primary respectively three windings secondary
- * optional: temperature fuse / PTC / fail-safe / miniature fuse

type EI 60/80 potted

34 ... 70 VA


 (approvals in preparation)




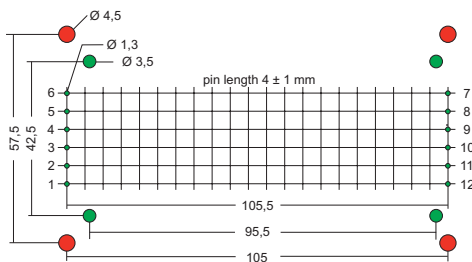
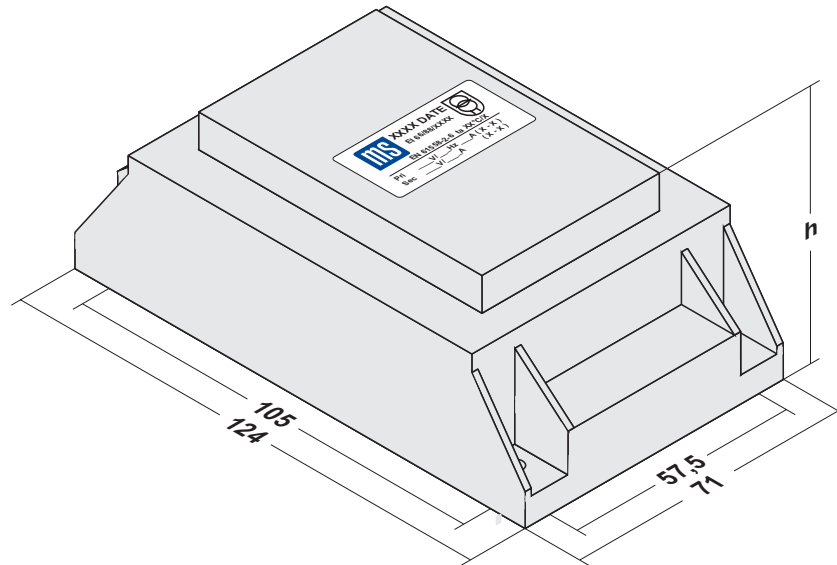
EI 60/80	type size [mm]	height h [mm]	power [VA]			
			ta 40°C/B		ta 70°C/B	
			compact	economy	compact	economy
	EI 60/80/21	47,5	55	45	41	34
	EI 60/80/31	57	70	58	52	43

- * safety transformer satisfying EN 60742 (VDE 0551) / EN 61558-2-6 (U_o < 50 V)
- * construction in vacuum potted double chamber style
- * approval according EN 61558, SEV, SEMKO, ENEC and CE sign
- * complete construction with UL-approved material
- * U_o > 50 V: insulating transformer satisfying EN 61558-2-4
- * advantageous price / quality ratio
- * automated production yields highest reliability
- * maximum one or two windings primary respectively three windings secondary
- * optional: temperature fuse / PTC / fail-safe / miniature fuse

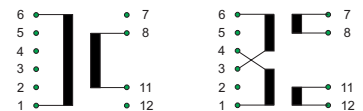
type EI 66/88 potted

38 ... 110 VA


 (approvals in preparation)



view on pin side
pin grid = 5 mm



example for windings

EI 66/88	type size [mm]	height h [mm]	power [VA]			
			ta 40°C/B		ta 70°C/B	
			compact	economy	compact	economy
	EI 66/88/18,8	49,1	60	50	42	38
	EI 66/88/34	63,3	110	90	82	67

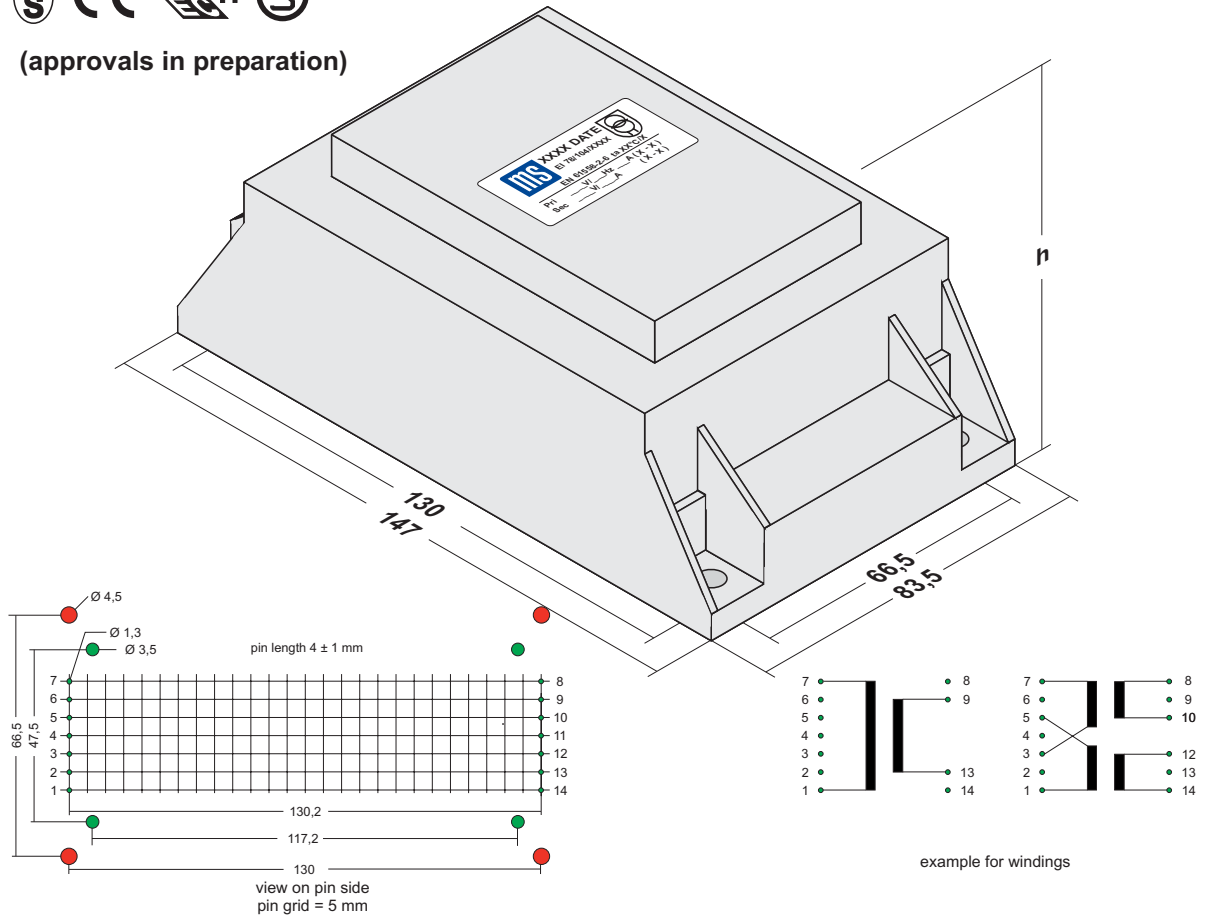
- * safety transformer satisfying EN 60742 (VDE 0551) / EN 61558-2-6 (U_o < 50 V)
- * construction in vacuum potted double chamber style
- * approval according EN 61558, SEV, SEMKO, ENEC and CE sign
- * complete construction with UL-approved material
- * U_o > 50 V: insulating transformer satisfying EN 61558-2-4
- * advantageous price / quality ratio
- * automated production yields highest reliability
- * maximum one or two windings primary respectively three windings secondary
- * optional: temperature fuse / PTC / fail-safe / miniature fuse

type EI 78/104 potted

85 ... 200 VA



(approvals in preparation)



EI 78/104	type size [mm]	height h [mm]	power [VA]			
			ta 40°C/B		ta 70°C/B	
			compact	economy	compact	economy
	EI 78/104/27,5	63,5	140	115	105	85
	EI 78/104/36,5	72,5	200	160	150	120

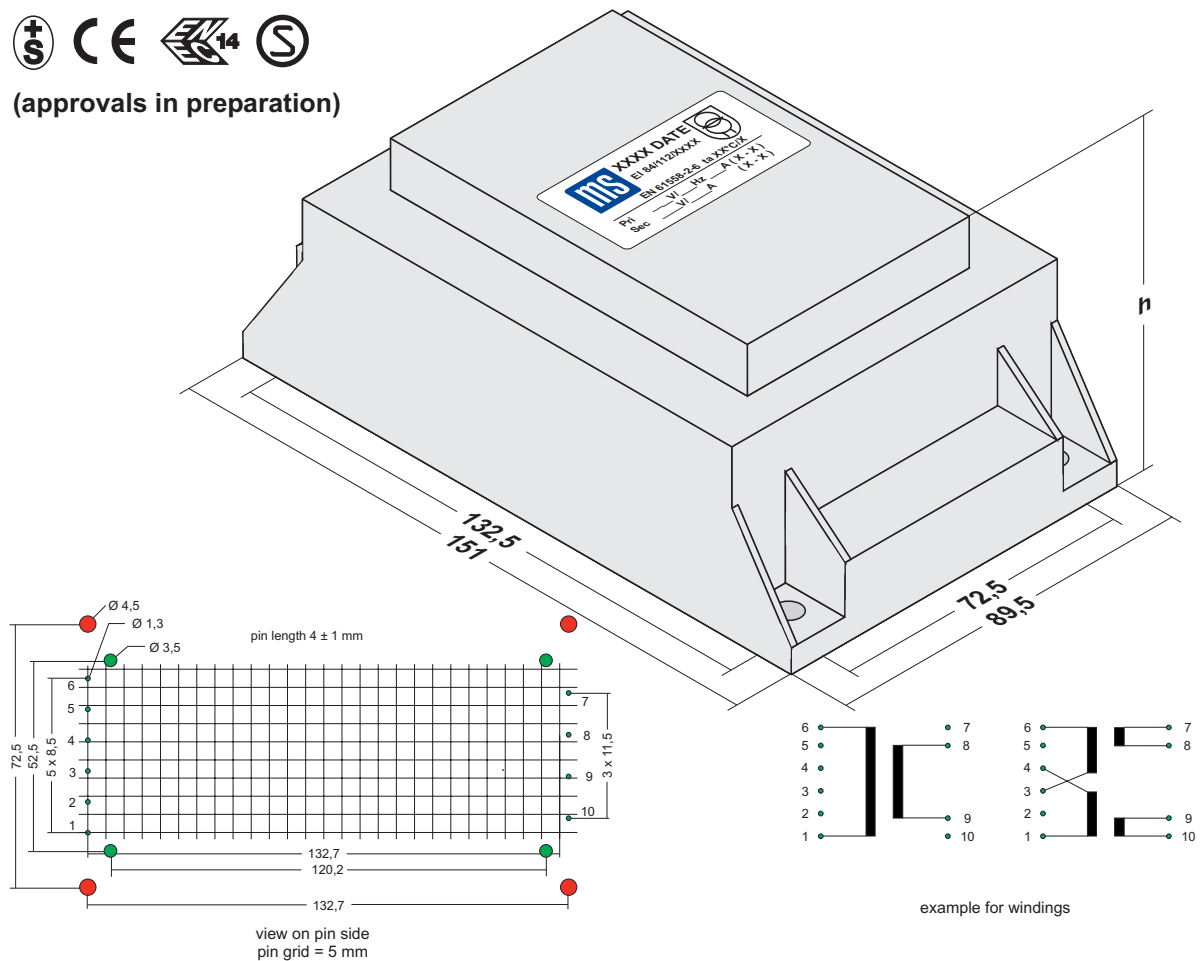
- * safety transformer satisfying EN 60742 (VDE 0551) / EN 61558-2-6 (U_o < 50 V)
- * construction in vacuum potted double chamber style
- * approval according EN 61558, SEV, SEMKO, ENEC and CE sign
- * complete construction with UL-approved material
- * U_o > 50 V: insulating transformer satisfying EN 61558-2-4
- * advantageous price / quality ratio
- * automated production yields highest reliability
- * maximum one or two windings primary respectively three windings secondary
- * optional: temperature fuse / PTC / fail-safe / miniature fuse

type EI 84/112 potted

115 ... 245 VA



(approvals in preparation)



EI 84/112	type size [mm]	height h [mm]	power [VA]			
			ta 40°C/B		ta 70°C/B	
			compact	economy	compact	economy
EI 84/112/29,5	67,1	190	155	145	115	
EI 84/112/43,5	81,1	245	200	185	150	

- * safety transformer satisfying EN 60742 (VDE 0551) / EN 61558-2-6 (U_o < 50 V)
- * construction in vacuum potted double chamber style
- * approval according EN 61558, SEV, SEMKO, ENEC and CE sign
- * complete construction with UL-approved material
- * U_o > 50 V: insulating transformer satisfying EN 61558-2-4
- * advantageous price / quality ratio
- * automated production yields highest reliability
- * maximum one or two windings primary respectively three windings secondary
- * optional: temperature fuse / PTC / fail-safe / miniature fuse