

power table pcb transformers potted EI housing style "magnetical axis vertical"

- * safety transformer satisfying EN 60742 (VDE 0551) / EN 61558-2-6 ($U_o < 50 V$)
- * construction in vacuum potted double chamber style
- * complete construction with UL-approved material
- * $U_o > 50 V$: insulating transformer satisfying EN 61558-2-4
- * maximum one or two windings primary respectively until six windings secondary
- * advantageous price / quality ratio
- * optional: temperature fuse / PTC / fail-safe / temperature switch
- * automated production yields highest reliability
- * special version on demand



(approvals in preparation)



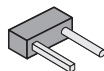
flat plug
2,8 x 0,8



flat plug
4,8 x 0,8



flat plug
6,3 x 0,8



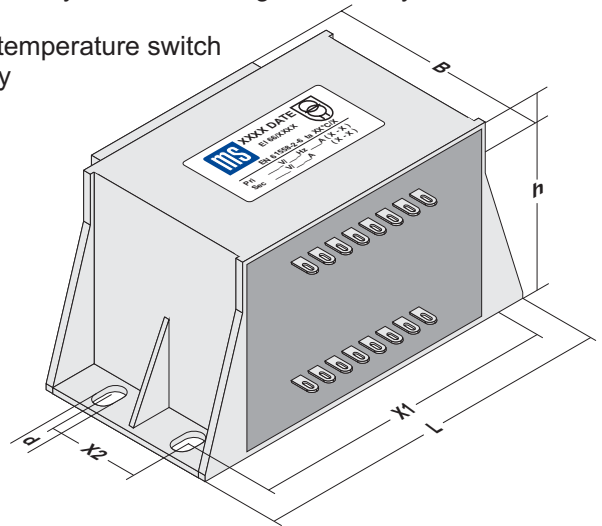
pin 0,6 x 0,8
bzw. Ø 0,8



solder eyelet




screw terminal

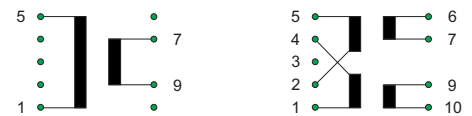
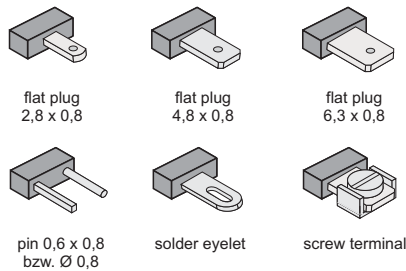
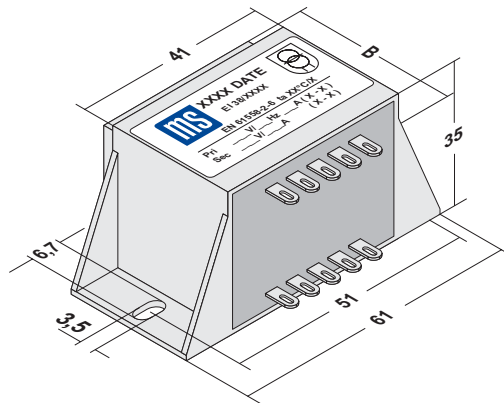


type	pins	dimaensions[mm]						power [VA]			
		length width height			hole-			ta 40°C/B		ta 70°C/B	
		L	B	h	Ø	hole-	distance	compact	economy	compact	economy
				d	X1	X2					
EI 38/13,5	2 x 5	61	33	35	3,5	51		4,2	3,5	3,2	2,8
EI 42/14,8	2 x 6	65	33	38	3,5	55		6,4	5,2	4,8	4,0
EI 48/16,8	2 x 6	75	39	43	3,5	62	12	12	10	9,0	7,5
EI 48/20,5	2 x 6	75	41	43	3,5	62	12	14,5	12	11,5	10
EI 54/18,8	2 x 7	82,5	43	49	3,5	68	11	19	16	15	12
EI 60/21	2 x 7	88	48	54	5,0	75	13,5	26	21	20	16
EI 60/25	2 x 7	88	53	54	5,2	75	13,5	32	26	24	20
EI 60/30	2 x 7	88	58	54	5,2	75	24,5	40	32	30	25
EI 66/23	2 x 8	94	50	59	4,8	82	13	42	35	31	26
EI 66/30	2 x 8	94	57	59	4,8	82	13,5	52	45	39	33
EI 66/35	2 x 8	94	61	59	4,8	82	37,5	57	50	43	37
EI 78/27,5	2 x 9	112,5	59	72	5,2	97,5	32,5	77	65	57	48
EI 84/29,5	2 x 10	120	64	75	5,5	102,5	32,5	90	78	67	58
EI 84/43,5	2 x 10	120	78	75	5,5	102,5	45	125	110	90	82
EI 96/35,7	2 x 12	133	75	85	5,5	115	40	170	140	125	105
EI 96/45,7	2 x 12	133	85	85	5,2	115	50	210	180	155	135
EI 96/59,7	2 x 12	133	99	85	5,5	115	64	265	220	200	170
EI 120/53		172	109	109	8,5	150	65	450	360	335	270
EI 120/73		172	129	109	8,5	150	85	620	500	460	370

type EI 38 potted

2,8 ... 4,2 VA


 (approvals in preparation)




example for windings

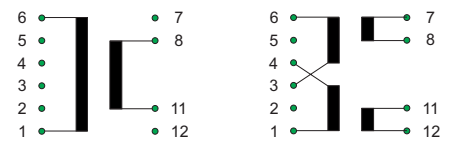
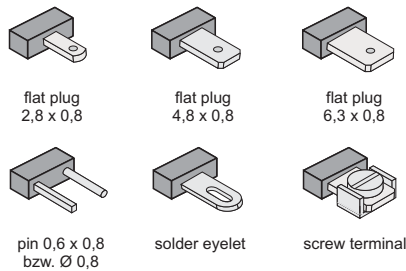
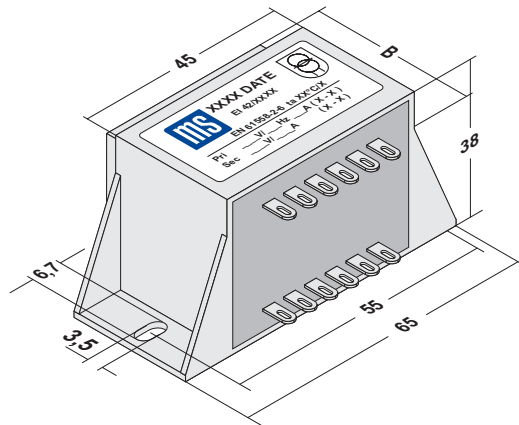
EI 38	type size [mm]	width B [mm]	hole distance X2 [mm]	power [VA]			
				ta 40°C/B		ta 70°C/B	
				compact	economy	compact	economy
	EI 38/13,5	33		4,2	3,5	3,2	2,8

- * safety transformer satisfying EN 60742 (VDE 0551) / EN 61558-2-6 (U_o < 50 V)
- * construction in vacuum potted double chamber style
- * complete construction with UL-approved material
- * U_o > 50 V: insulating transformer satisfying EN 61558-2-4
- * advantageous price / quality ratio
- * automated production yields highest reliability
- * maximum one or two windings primary respectively secondary
- * optional: temperature fuse / PTC / fail-safe

type EI 42 potted

4,0 ... 6,4 VA


 (approvals in preparation)




example for windings

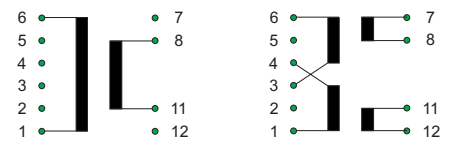
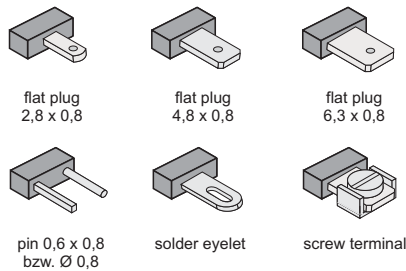
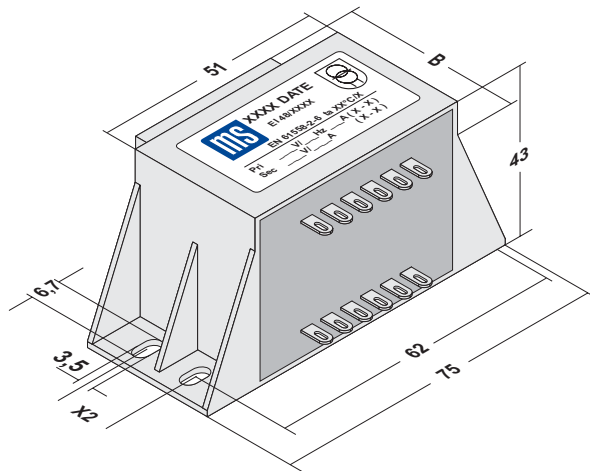
EI 42	type size [mm]	width B [mm]	hole distance X2 [mm]	power [VA]			
				ta 40°C/B		ta 70°C/B	
				compact	economy	compact	economy
	EI 42/14,8	33		6,4	5,2	4,8	4,0

- * safety transformer satisfying EN 60742 (VDE 0551) / EN 61558-2-6 (U_o < 50 V)
- * construction in vacuum potted double chamber style
- * complete construction with UL-approved material
- * U_o > 50 V: insulating transformer satisfying EN 61558-2-4
- * advantageous price / quality ratio
- * automated production yields highest reliability
- * maximum one or two windings primary respectively three windings secondary
- * optional: temperature fuse / PTC / fail-safe

type EI 48 potted

7,5 ... 14,5 VA


 (approvals in preparation)




example for windings

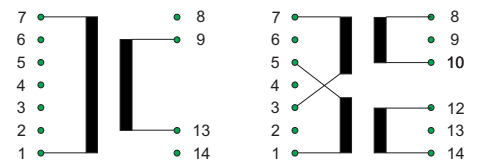
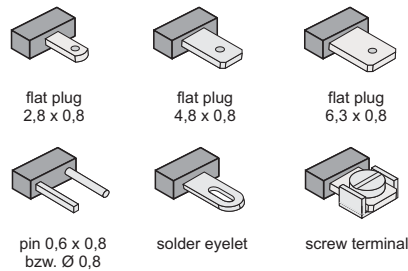
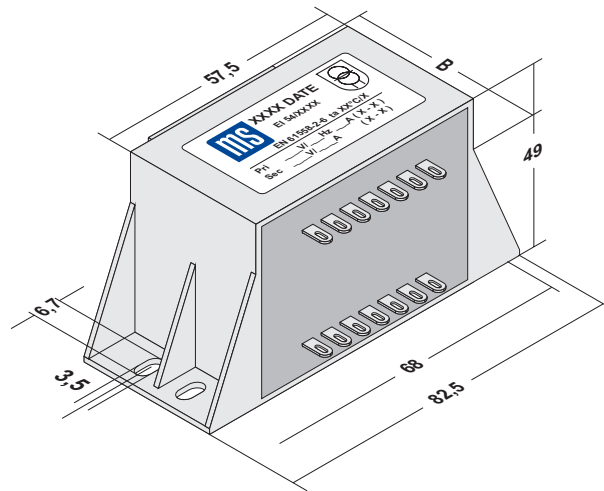
EI 48	type size [mm]	width B [mm]	hole distance X2 [mm]	power [VA]			
				ta 40°C/B		ta 70°C/B	
				compact	economy	compact	economy
	EI 48/16,8	39	12	12,0	10,0	9,0	7,5
	EI 48/20,5	41	12	14,5	12,0	11,5	10,0

- * safety transformer satisfying EN 60742 (VDE 0551) / EN 61558-2-6 (U_o < 50 V)
- * construction in vacuum potted double chamber style
- * complete construction with UL-approved material
- * U_o > 50 V: insulating transformer satisfying EN 61558-2-4
- * advantageous price / quality ratio
- * automated production yields highest reliability
- * maximum one or two windings primary respectively three windings secondary
- * optional: temperature fuse / PTC / fail-safe

type EI 54 potted

12 ... 19 VA


 (approvals in preparation)



example for windings

EI 54	type size [mm]	width B [mm]	hole distance X2 [mm]	power [VA]			
				ta 40°C/B		ta 70°C/B	
				compact	economy	compact	economy
	EI 54/18,8	43	11	19	16	15	12

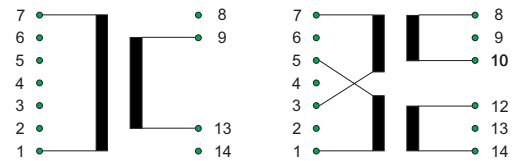
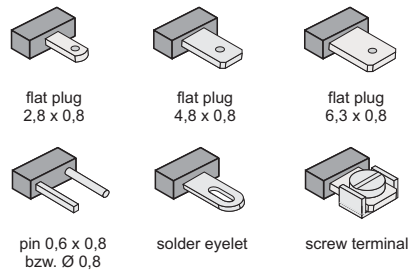
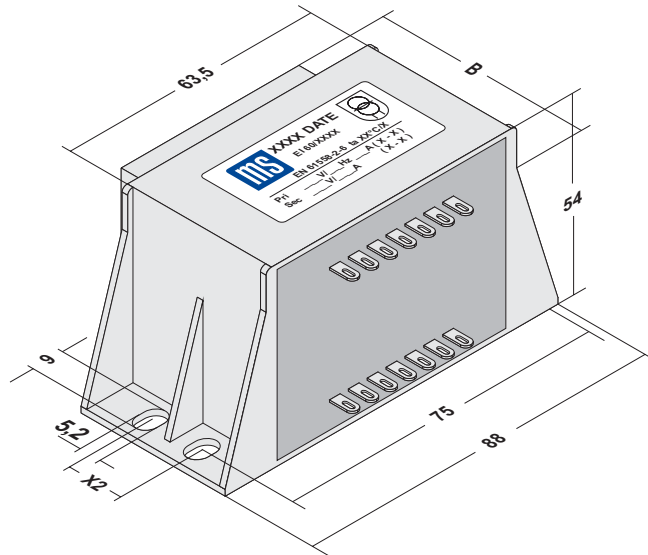
- * safety transformer satisfying EN 60742 (VDE 0551) / EN 61558-2-6 (U_o < 50 V)
- * construction in vacuum potted double chamber style
- * complete construction with UL-approved material
- * U_o > 50 V: insulating transformer satisfying EN 61558-2-4
- * advantageous price / quality ratio
- * automated production yields highest reliability
- * maximum one or two windings primary respectively three windings secondary
- * optional: temperature switch / temperature fuse / PTC / fail-safe

type EI 60 potted

16 ... 40 VA



(approvals in preparation)



example for windings

EI 60	type size [mm]	width B [mm]	hole distance X2 [mm]	power [VA]			
				ta 40°C/B		ta 70°C/B	
				compact	economy	compact	economy
	EI 60/21	48	13,5	26	21	20	16
	EI 60/25	53	13,5	32	26	24	20
	EI 60/30	58	24,5	40	32	30	25

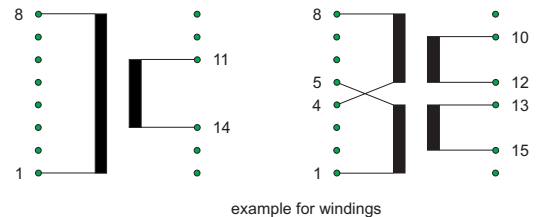
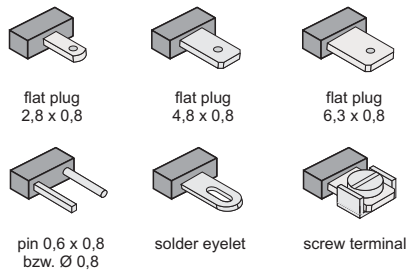
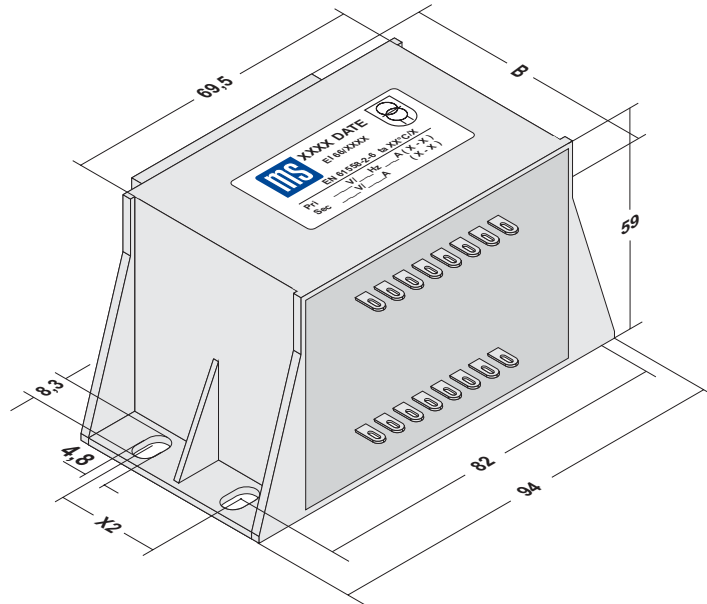
- * safety transformer satisfying EN 60742 (VDE 0551) / EN 61558-2-6 (U_o < 50 V)
- * construction in vacuum potted double chamber style
- * complete construction with UL-approved material
- * U_o > 50 V: insulating transformer satisfying EN 61558-2-4
- * advantageous price / quality ratio
- * automated production yields highest reliability
- * maximum one or two windings primary respectively three windings secondary
- * optional: temperature switch / temperature fuse / PTC / fail-safe

type EI 66 potted

26 ... 57 VA



(approvals in preparation)



example for windings

EI 66	type size	width B [mm]	hole distance X2 [mm]	power [VA]			
				ta 40°C/B		ta 70°C/B	
				compact	economy	compact	economy
	EI 66/23	50	13	42	35	31	26
	EI 66/30	57	13,5	52	45	39	33
	EI 66/35	61	37,5	57	50	43	37

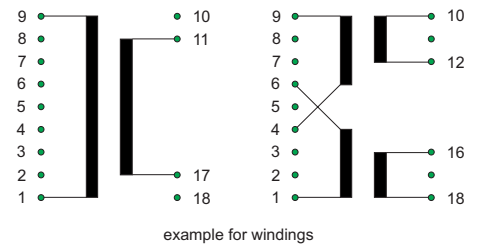
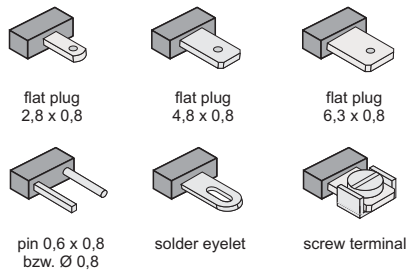
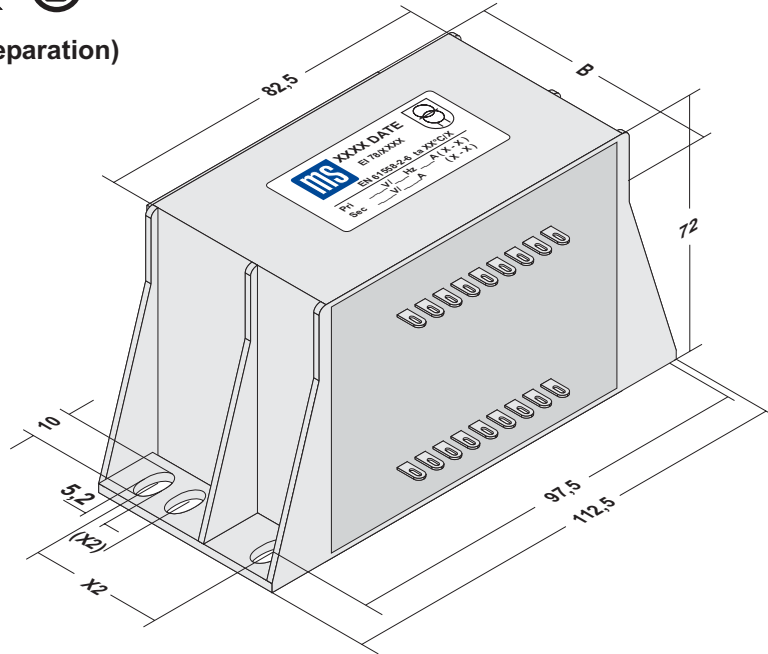
- * safety transformer satisfying EN 60742 (VDE 0551) / EN 61558-2-6 (U_o < 50 V)
- * construction in vacuum potted double chamber style
- * complete construction with UL-approved material
- * U_o > 50 V: insulating transformer satisfying EN 61558-2-4
- * advantageous price / quality ratio
- * automated production yields highest reliability
- * maximum one or two windings primary respectively four windings secondary
- * optional: temperature switch / temperature fuse / PTC / fail-safe

type EI 78 potted

48 ... 77 VA



(approvals in preparation)



EI 78	type size	width B [mm]	hole distance X2 [mm]	power [VA]			
				ta 40°C/B		ta 70°C/B	
				compact	economy	compact	economy
	EI 78/27,5	59	32,5 (8,6)	77	65	57	48

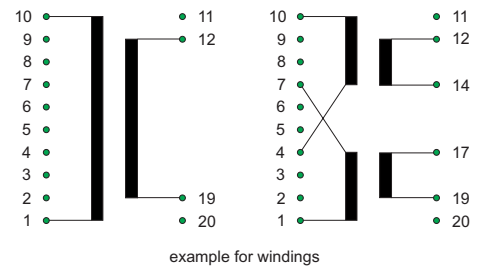
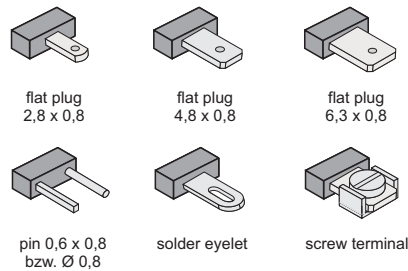
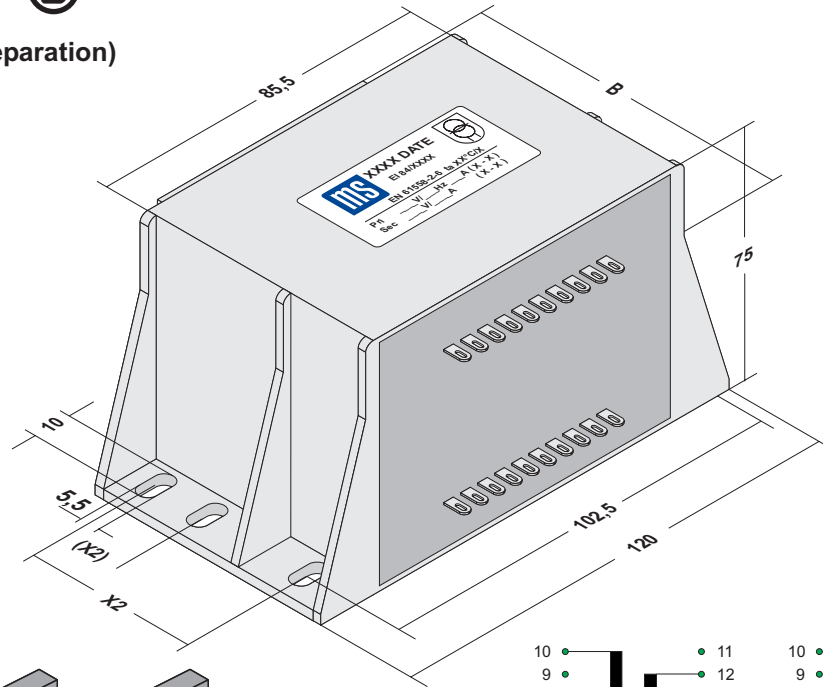
- * safety transformer satisfying EN 60742 (VDE 0551) / EN 61558-2-6 (U_o < 50 V)
- * construction in vacuum potted double chamber style
- * complete construction with UL-approved material
- * U_o > 50 V: insulating transformer satisfying EN 61558-2-4
- * advantageous price / quality ratio
- * automated production yields highest reliability
- * maximum one or two windings primary respectively four windings secondary
- * optional: temperature switch / temperature fuse / PTC / fail-safe

type EI 84 potted

58 ... 125 VA



(approvals in preparation)



EI 84	type size	width B [mm]	hole distance X2 (X2) [mm]	power [VA]			
				ta 40°C/B		ta 70°C/B	
				compact	economy	compact	economy
	EI 84/29,5	64	32,5 (8,8)	90	78	67	58
	EI 84/43,5	78	45 (15)	125	110	90	82

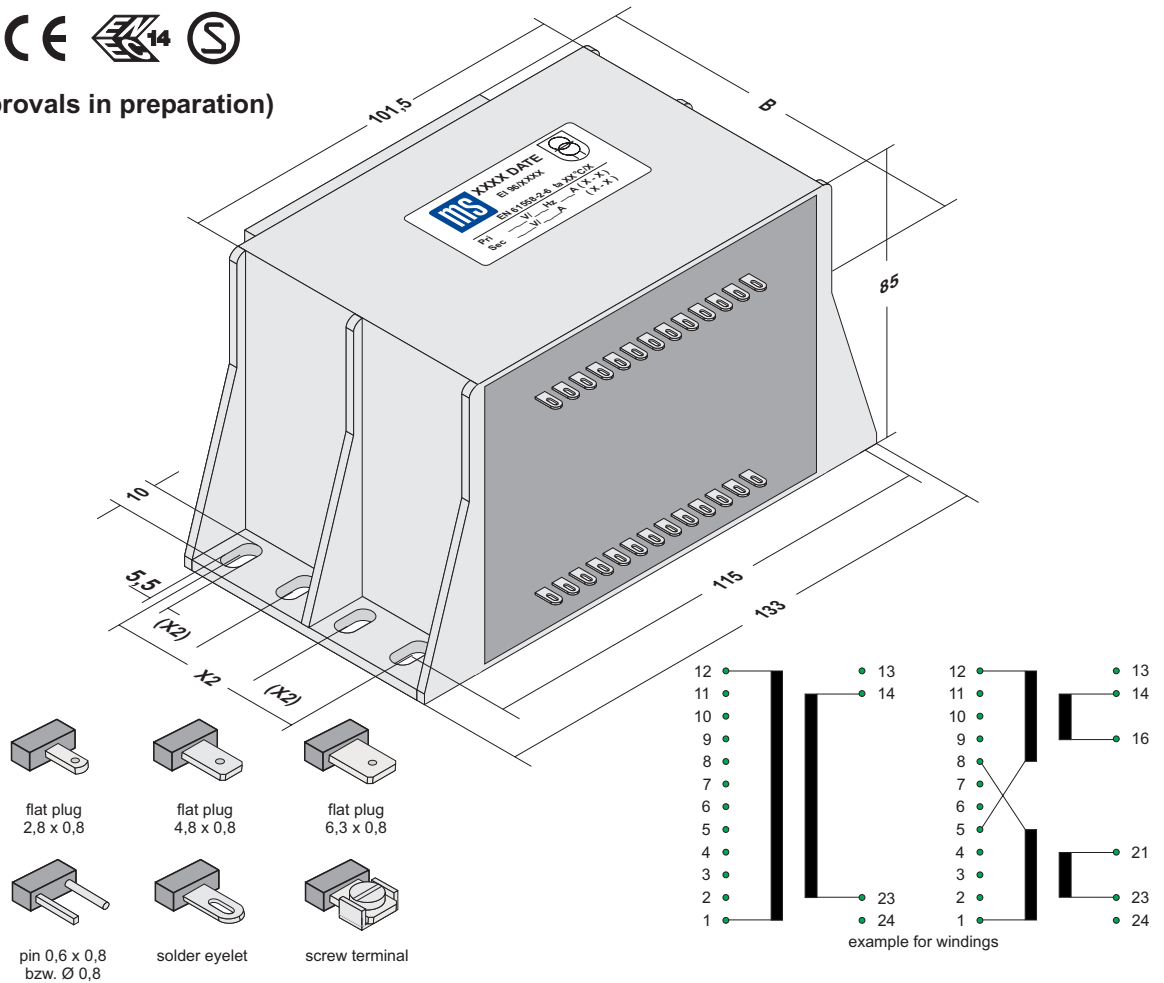
- * safety transformer satisfying EN 60742 (VDE 0551) / EN 61558-2-6 (U_o < 50 V)
- * construction in vacuum potted double chamber style
- * complete construction with UL-approved material
- * U_o > 50 V: insulating transformer satisfying EN 61558-2-4
- * advantageous price / quality ratio
- * automated production yields highest reliability
- * maximum one or two windings primary respectively five windings secondary
- * optional: temperature switch / temperature fuse / PTC / fail-safe

type EI 96 potted

105 ... 265 VA



(approvals in preparation)



EI 96	type size	width B [mm]	hole distance X2 (X2) [mm]	power [VA]			
				ta 40°C/B		ta 70°C/B	
				compact	economy	compact	economy
	EI 96/35,7	75	40 (11,4)	170	140	125	105
	EI 96/45,7	85	50 (16,3)	210	180	155	135
	EI 96/59,7	99	64 (23,5)	265	220	200	170

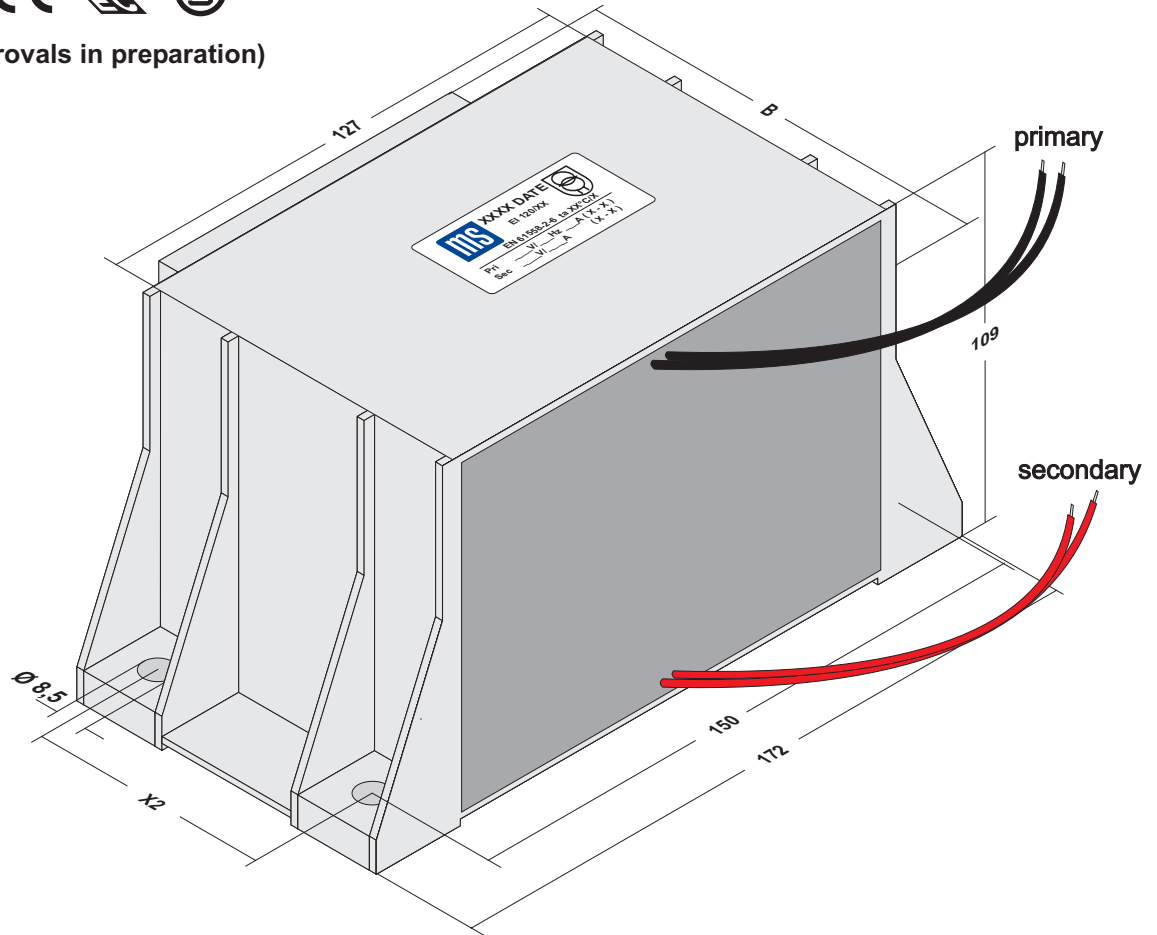
- * safety transformer satisfying EN 60742 (VDE 0551) / EN 61558-2-6 (U_o < 50 V)
- * construction in vacuum potted double chamber style
- * complete construction with UL-approved material
- * U_o > 50 V: insulating transformer satisfying EN 61558-2-4
- * advantageous price / quality ratio
- * automated production yields highest reliability
- * maximum one or two windings primary respectively six windings secondary
- * optional: temperature switch / temperature fuse / PTC / fail-safe

type EI 120 potted

270 ... 620 VA



(approvals in preparation)



EI 120	type size	width B [mm]	hole distance X2 (X2) [mm]	power [VA]			
				ta 40°C/B		ta 70°C/B	
				compact	economy	compact	economy
	EI 120/53	109	65	450	360	335	270
	EI 120/73	129	85	620	500	460	370

- * safety transformer satisfying EN 60742 (VDE 0551) / EN 61558-2-6 (U_o < 50 V)
- * construction in vacuum potted double chamber style
- * complete construction with UL-approved material
- * U_o > 50 V: insulating transformer satisfying EN 61558-2-4
- * advantageous price / quality ratio
- * automated production yields highest reliability
- * maximum one or two windings primary respectively six windings secondary
- * optional: temperature switch / temperature fuse / PTC / fail-safe
- * standard with 200 mm line length with PVC-leads - ends tinned
- * manufacture of cable on customers demand