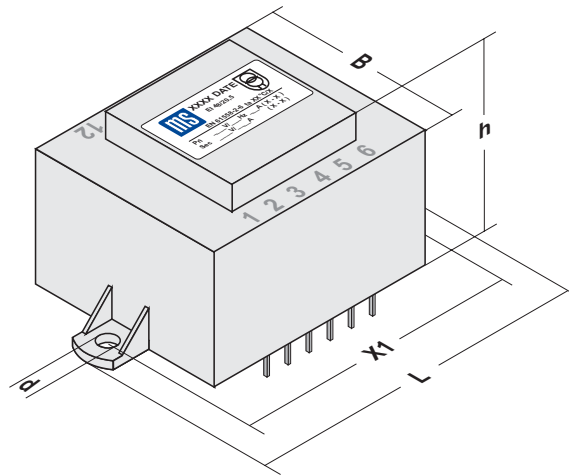


power table pcb transformers potted EI housing style "K"

- * safety transformer satisfying EN 60742 (VDE 0551) / EN 61558-2-6 ($U_o < 50 V$)
- * construction in vacuum potted double chamber style
- * complete construction with UL-approved material
- * $U_o > 50 V$: insulating transformer satisfying EN 61558-2-4
- * maximum one or two windings primary respectively until three windings secondary
- * advantageous price / quality ratio
- * automated production yields highest reliability
- * special version on demand
- * optional: temperature fuse / PTC / fail-safe / temperature switch from EI 54
- * EI 38/7,5: short circuit proof




(approvals in preparation)

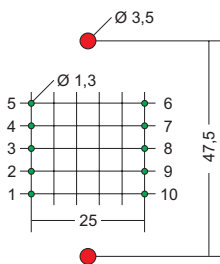
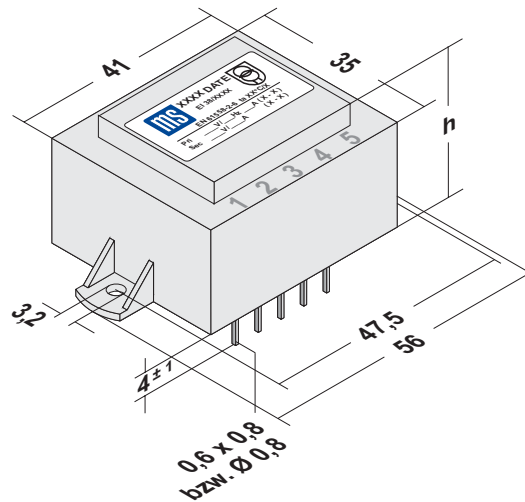


type	pins	dimensions [mm]					power [VA]			
		length width		height	hole		ta 40°C/B		ta 70°C/B	
		L	B		h	Ø d	distance X1	compact	economy	compact
EI 38/7,5	2 x 5	56	35	22,5	3,2	47,5	2,8	2,3	2,2	1,8
EI 38/13,5	2 x 5	56	35	28	3,2	47,5	4,2	3,5	3,2	2,8
EI 38/16,5	2 x 5	56	35	31	3,2	47,5	5,2	4,4	3,8	3,2
EI 42/8,5	2 x 6	64	37,5	26,5	4,2	55	3,8	3,2	2,9	2,4
EI 42/14,8	2 x 6	64	37,5	32,5	4,2	55	6,4	5,2	4,8	4,0
EI 42/20	2 x 6	64	37,5	38,5	4,2	55	8,8	7,5	7,0	5,6
EI 48/16,8	2 x 6	69	42,5	34,5	4,2	60	12,0	10,0	9,0	7,5
EI 48/20,5	2 x 6	69	42,5	38,5	4,2	60	14,5	12,0	11,5	10,0
EI 54/18,8	2 x 7	75	47	39	4,2	65	19	16	15	12
EI 54/23	2 x 7	75	47	43,5	4,2	65	25	21	20	15

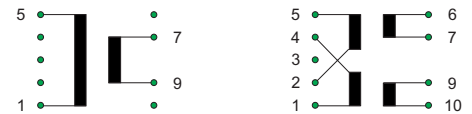
type EI 38 potted

1,8 ... 5,2 VA


 (approvals in preparation)



view on pin side
pin grid = 5 mm



example for windings

EI 38	type size [mm]	height h [mm]	power [VA]			
			ta 40°C/B		ta 70°C/B	
			compact	economy	compact	economy
	EI 38,7,5	22,5	2,8	2,3	2,2	1,8
	EI 38/13,5	28	4,2	3,5	3,2	2,8
	EI 38/16,5	31	5,2	4,4	3,8	3,2

- * safety transformer satisfying EN 60742 (VDE 0551) / EN 61558-2-6 (U_o < 50 V)
- * construction in vacuum potted double chamber style
- * complete construction with UL-approved material
- * U_o > 50 V: insulating transformer satisfying EN 61558-2-4
- * advantageous price / quality ratio
- * automated production yields highest reliability
- * maximum one or two windings primary respectively secondary
- * optional: temperature fuse / PTC / fail-safe

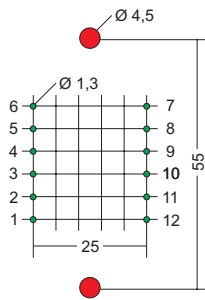
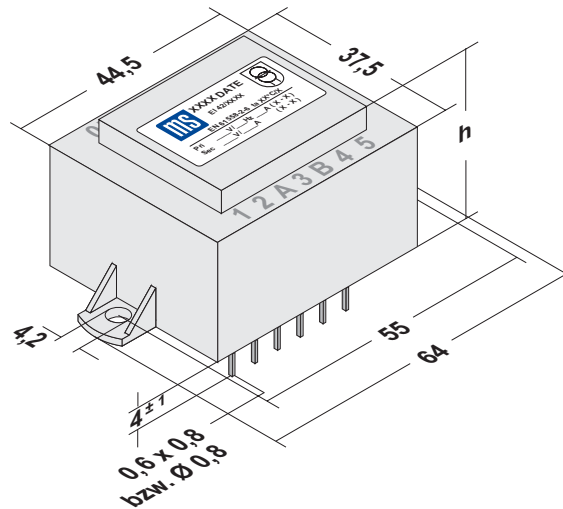
*) EI 38/7,5: short circuit proof

type EI 42 potted

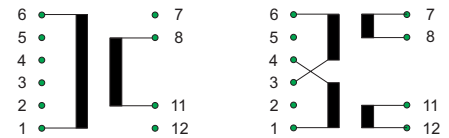
2,4 ... 8,8 VA



(approvals in preparation)



view on pin side
pin grid = 5 mm




example for windings

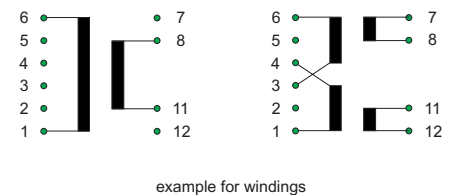
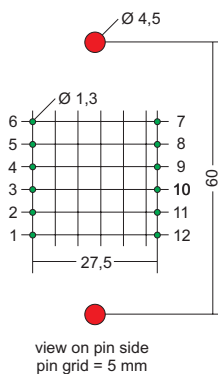
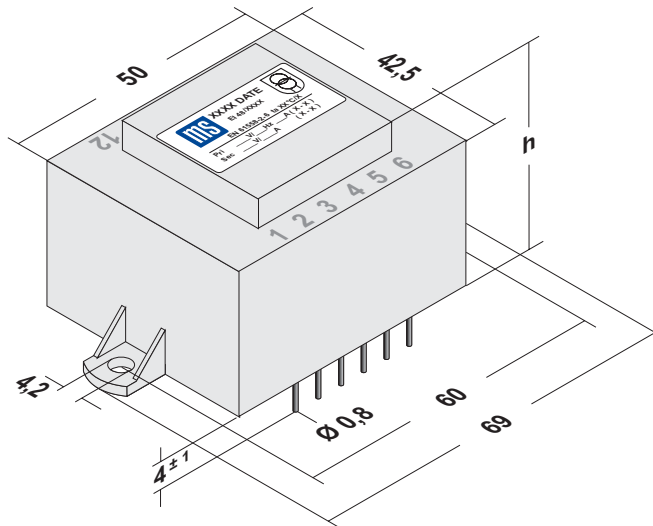
EI 42	type size [mm]	height h [mm]	power [VA]			
			ta 40°C/B		ta 70°C/B	
			compact	economy	compact	economy
	EI 42/8,5	26,5	3,8	3,2	2,9	2,4
	EI 42/14,8	32,5	6,4	5,2	4,8	4,0
	EI 42/20	38,5	8,8	7,5	7,0	5,6

- * safety transformer satisfying EN 60742 (VDE 0551) / EN 61558-2-6 (U_o < 50 V)
- * construction in vacuum potted double chamber style
- * complete construction with UL-approved material
- * U_o > 50 V: insulating transformer satisfying EN 61558-2-4
- * advantageous price / quality ratio
- * automated production yields highest reliability
- * maximum one or two windings primary respectively three windings secondary
- * optional: temperature fuse / PTC / fail-safe

type EI 48 potted

7,5 ... 14,5 VA


 (approvals in preparation)




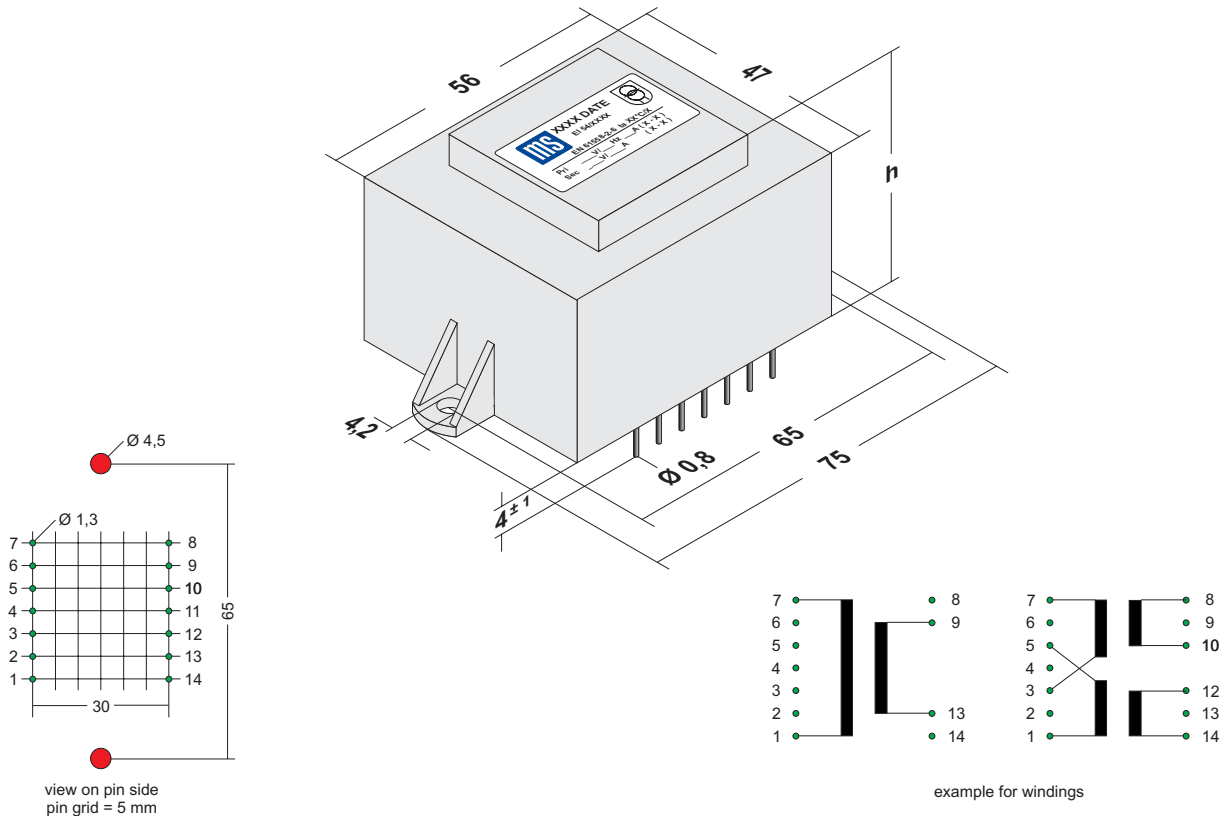
EI 48	type size [mm]	height h [mm]	power [VA]			
			ta 40°C/B		ta 70°C/B	
			compact	economy	compact	economy
	EI 48/16,8	34,5	12,0	10,0	9,0	7,5
	EI 48/20,5	38,5	14,5	12,0	11,5	10,0

- * safety transformer satisfying EN 60742 (VDE 0551) / EN 61558-2-6 (U_o < 50 V)
- * construction in vacuum potted double chamber style
- * complete construction with UL-approved material
- * U_o > 50 V: insulating transformer satisfying EN 61558-2-4
- * advantageous price / quality ratio
- * automated production yields highest reliability
- * maximum one or two windings primary respectively three windings secondary
- * optional: temperature fuse / PTC / fail-safe

type EI 54 potted

12 ... 25 VA


 (approvals in preparation)



EI 54	type size [mm]	height h [mm]	power [VA]			
			ta 40°C/B		ta 70°C/B	
			compact	economy	compact	economy
	EI 54/18,8	39	19	16	15	12
	EI 54/23	43,5	25	21	20	15

- * safety transformer satisfying EN 60742 (VDE 0551) / EN 61558-2-6 (U_o < 50 V)
- * construction in vacuum potted double chamber style
- * complete construction with UL-approved material
- * U_o > 50 V: insulating transformer satisfying EN 61558-2-4
- * advantageous price / quality ratio
- * automated production yields highest reliability
- * maximum one or two windings primary respectively three windings secondary
- * optional: temperature switch / temperature fuse / PTC / fail-safe