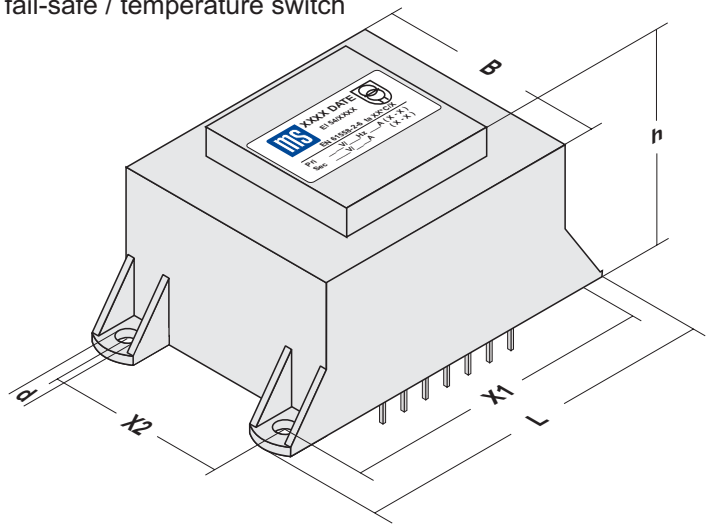


## power table pcb transformers potted EI housing style "KK"

- \* safety transformer satisfying EN 60742 ( VDE 0551 ) / EN 61558-2-6 (  $U_0 < 50 \text{ V}$  )
- \* construction in vacuum potted double chamber style
- \* complete construction with UL-approved material
- \*  $U_0 > 50 \text{ V}$ : insulating transformer satisfying EN 61558-2-4
- \* maximum one or two windings primary respectively until six windings secondary
- \* advantageous price / quality ratio
- \* automated production yields highest reliability
- \* special version on demand
- \* optional: temperature fuse / PTC / fail-safe / temperature switch




(approvals in preparation)

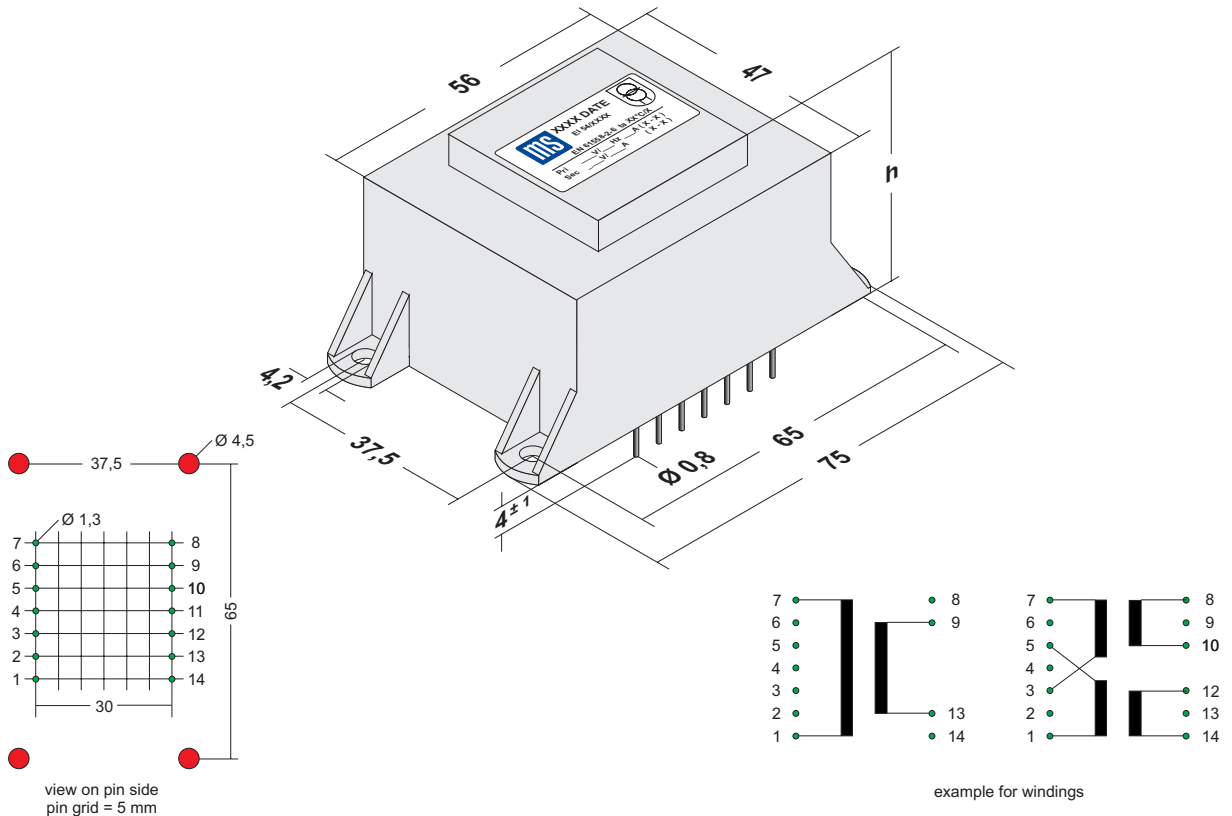


type	pins	dimensions [ mm ]						power [ VA ]			
		length		width	height	hole		ta 40°C/B		ta 70°C/B	
		L	B	B	h	Ø	distance	compact	economy	compact	economy
EI 54/18,8	2 x 7	76	48	39	4,2	65	37,5	19	16	15	12
EI 54/23	2 x 7	76	48	43,5	4,2	65	37,5	25	21	20	15
EI 60/21	2 x 7	82	54	47	4,2	72,5	43,5	26	21	20	16
EI 60/25	2 x 7	82	54	52	4,2	72,5	43,5	32	26	24	20
EI 60/30	2 x 7	82	54	56	4,2	72,5	43,5	40	32	30	25
EI 66/23	2 x 8	88	59	49	4,2	77,5	47,5	42	35	31	26
EI 66/30	2 x 8	88	59	56	4,2	77,5	47,5	52	45	39	33
EI 66/35	2 x 8	88	59	60	4,2	77,5	47,5	57	50	43	37
EI 78/27,5	2 x 9	100	69	60	4,2	90	57,5	77	65	57	48
EI 78/36,5	2 x 9	100	69	69	4,2	90	57,5	94	80	70	60
EI 78/40,5	2 x 9	100	69	72	4,2	90	57,5	105	90	78	67
EI 84/29,5	2 x 10	108	75	63	4,2	97,5	60	90	78	67	58
EI 84/43,5	2 x 10	108	75	77	4,2	97,5	60	125	110	90	82
EI 96/35,7	2 x 12	130	85	75	6,2	115	70	170	140	125	105
EI 96/45,7	2 x 12	130	85	85	6,2	115	70	210	180	155	135
EI 96/59,7	2 x 12	130	85	99	6,2	115	70	265	220	200	170

# type EI 54 potted

# 12 ... 25 VA


 (approvals in preparation)




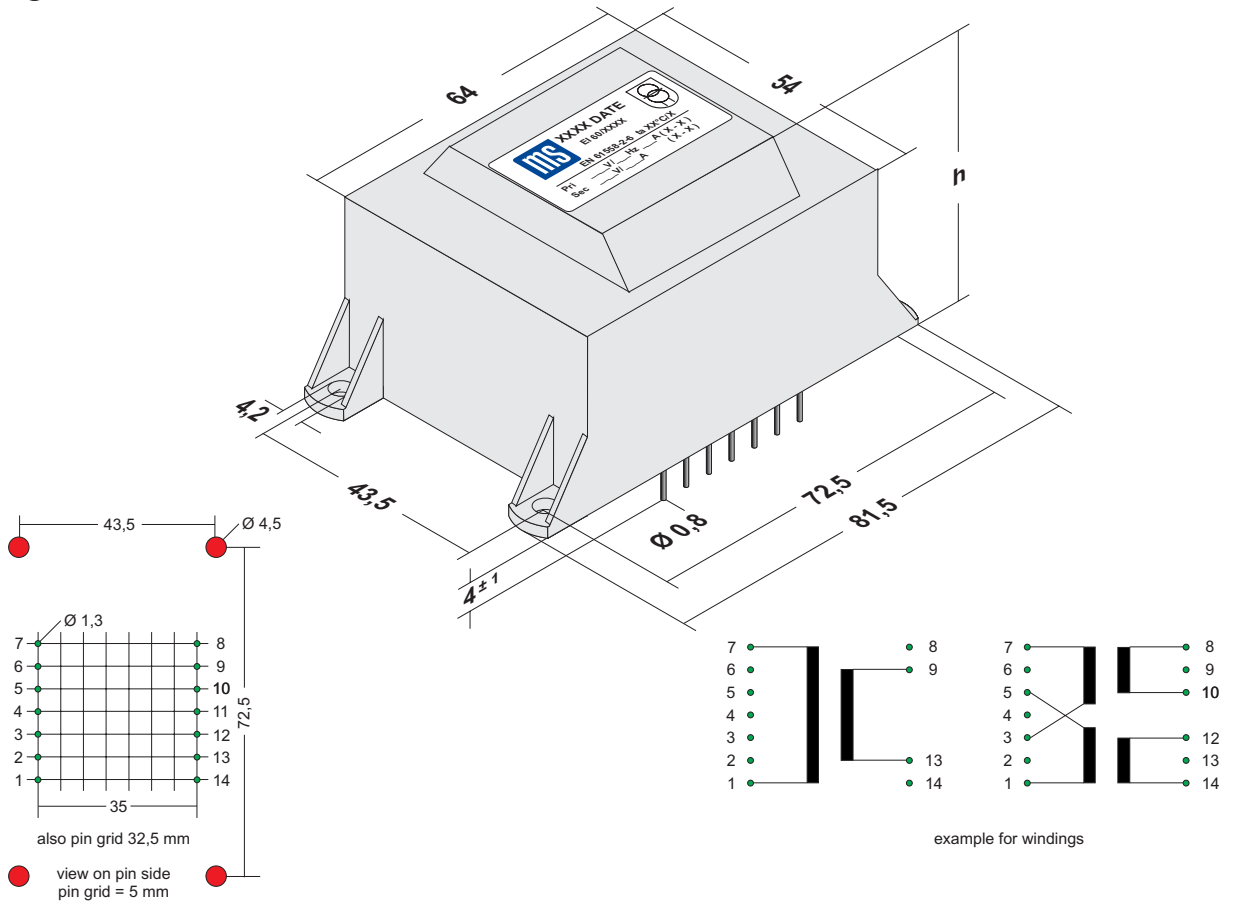
EI 54	type size [ mm ]	height h [ mm ]	power [ VA ]			
			ta 40°C/B		ta 70°C/B	
			compact	economy	compact	economy
EI 54/18,8	39	19	16	15	12	
EI 54/23	43,5	25	21	20	15	

- \* safety transformer satisfying EN 60742 ( VDE 0551 ) / EN 61558-2-6 ( U<sub>o</sub> < 50 V )
- \* construction in vacuum potted double chamber style
- \* complete construction with UL-approved material
- \* U<sub>o</sub> > 50 V: insulating transformer satisfying EN 61558-2-4
- \* advantageous price / quality ratio
- \* automated production yields highest reliability
- \* maximum one or two windings primary respectively three windings secondary
- \* optional: temperature switch / temperature fuse / PTC / fail-safe

# type EI 60 potted

# 16 ... 40 VA


 (approvals in preparation)




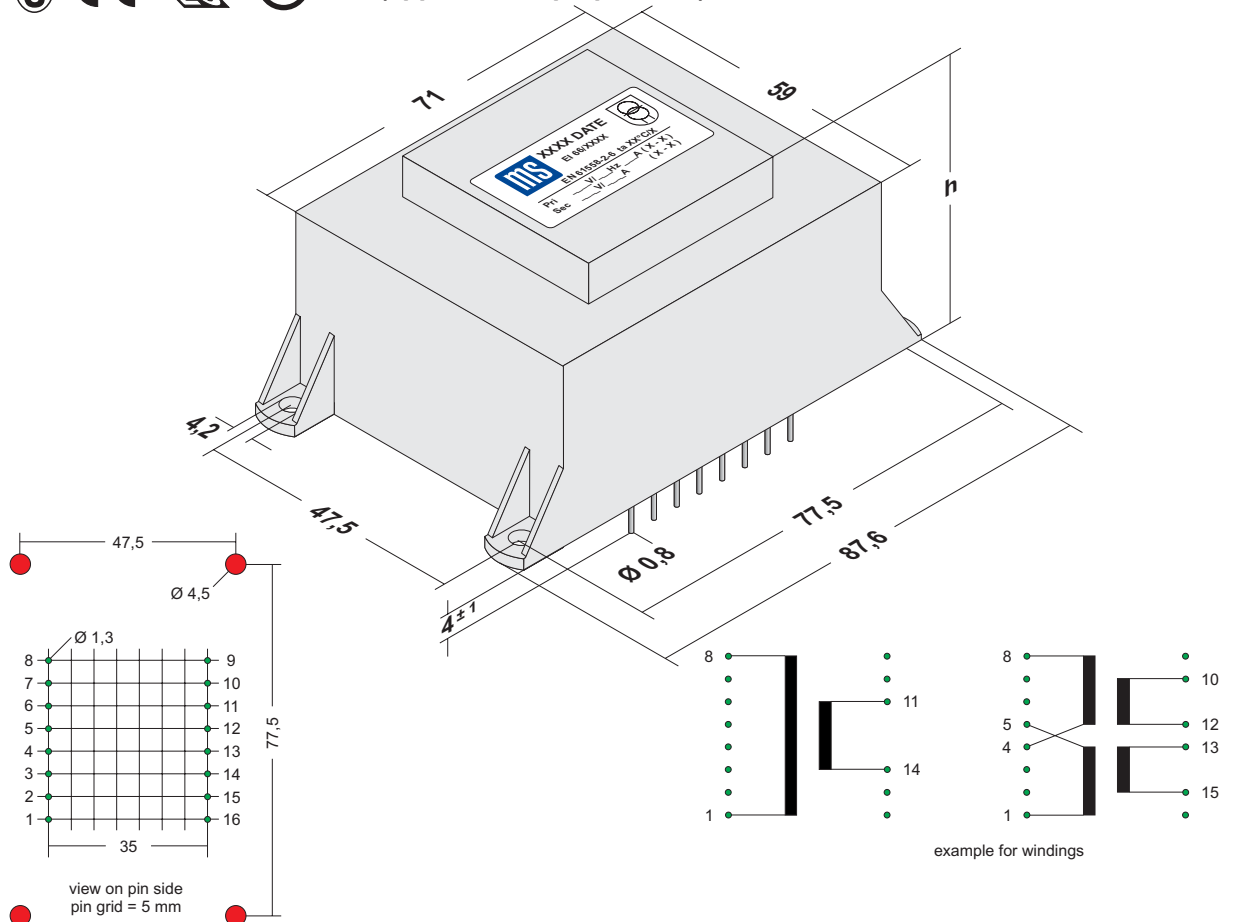
EI 60	Stromstärke [ mm ]	Baueinheit h [ mm ]	Leistung [VA]			
			ta 40°C/B		ta 70°C/B	
			kompakt	ökonomisch	kompakt	ökonomisch
EI 60/21	47	26	21	20	16	
EI 60/25	51	32	26	24	20	
EI 60/30	56	40	32	30	25	

- \* safety transformer satisfying EN 60742 ( VDE 0551 ) / EN 61558-2-6 (U<sub>o</sub> < 50 V)
- \* construction in vacuum potted double chamber style
- \* complete construction with UL-approved material
- \* U<sub>o</sub> > 50 V: insulating transformer satisfying EN 61558-2-4
- \* advantageous price / quality ratio
- \* automated production yields highest reliability
- \* maximum one or two windings primary respectively three windings secondary
- \* optional: temperature switch / temperature fuse / PTC / fail-safe

# type EI 66 potted

# 26 ... 57 VA


 (approvals in preparation)



EI 66	type size [ mm ]	height h [ mm ]	power [ VA ]			
			ta 40°C/B		ta 70°C/B	
			compact	economy	compact	economy
	EI 66/23	48,5	42	35	31	26
	EI 66/30	56	52	45	39	33
	EI 66/35	60	57	50	43	37

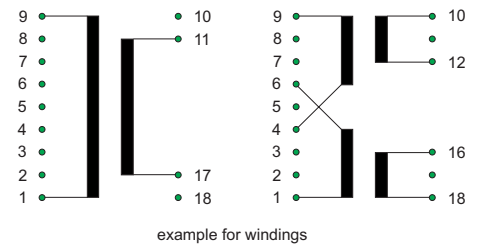
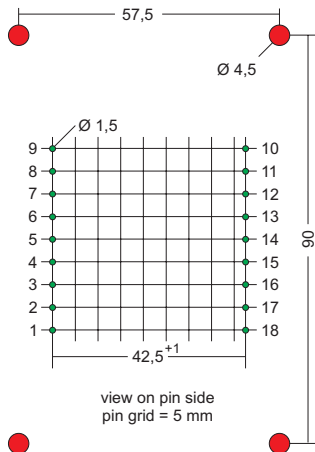
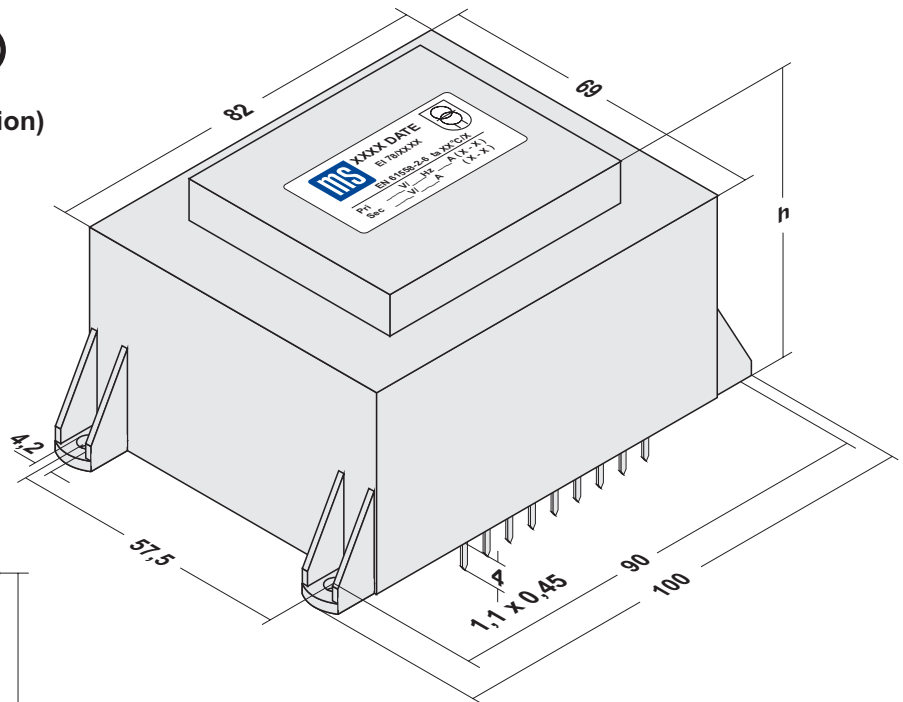
- \* safety transformer satisfying EN 60742 ( VDE 0551 ) / EN 61558-2-6 ( U<sub>o</sub> < 50 V )
- \* construction in vacuum potted double chamber style
- \* complete construction with UL-approved material
- \* U<sub>o</sub> > 50 V: insulating transformer satisfying EN 61558-2-4
- \* advantageous price / quality ratio
- \* automated production yields highest reliability
- \* maximum one or two windings primary respectively four windings secondary
- \* optional: temperature switch / temperature fuse / PTC / fail-safe

# type EI 78 potted

# 48 ... 105 VA



(approvals in preparation)



EI 78	type size [ mm ]	height h [ mm ]	power [ VA ]			
			ta 40°C/B		ta 70°C/B	
			compact	economy	compact	economy
	EI 78/27,5	60	77	65	57	48
	EI 78/36,5	69	94	80	70	60
	EI 78/40,5	72	105	90	78	67

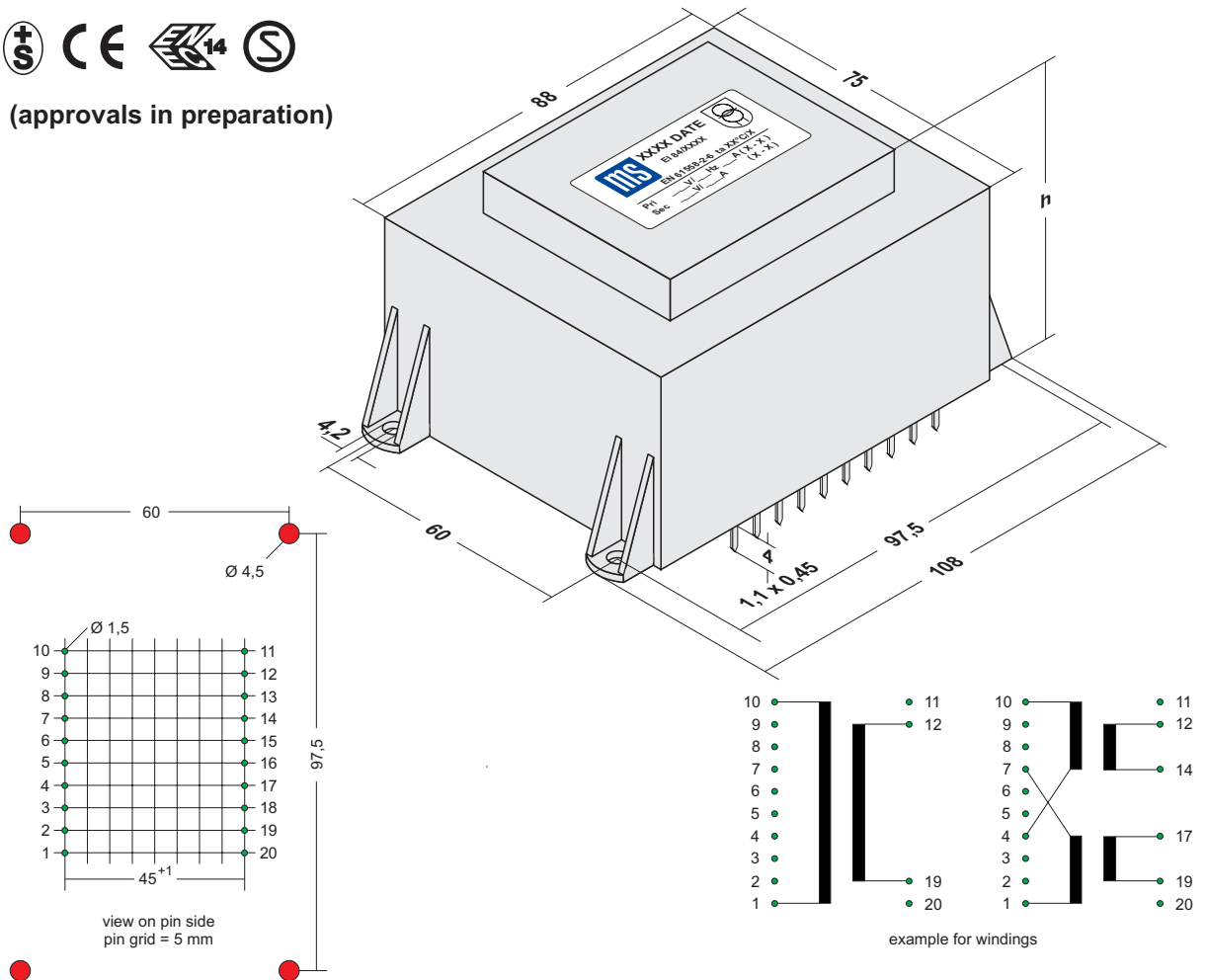
- \* safety transformer satisfying EN 60742 ( VDE 0551 ) / EN 61558-2-6 (U<sub>o</sub> < 50 V)
- \* construction in vacuum potted double chamber style
- \* complete construction with UL-approved material
- \* U<sub>o</sub> > 50 V: insulating transformer satisfying EN 61558-2-4
- \* advantageous price / quality ratio
- \* automated production yields highest reliability
- \* maximum one or two windings primary respectively four windings secondary
- \* optional: temperature switch / temperature fuse / PTC / fail-safe
- \* optional: housing style "0" or magnetical axis vertical

# type EI 84 potted

58 ... 125 VA



(approvals in preparation)



EI 84	type size [ mm ]	height h [ mm ]	power [ VA ]			
			ta 40°C/B		ta 70°C/B	
			compact	economy	compact	economy
	EI 84/29,5	63	90	78	67	58
	EI 84/43,5	77	125	110	90	82

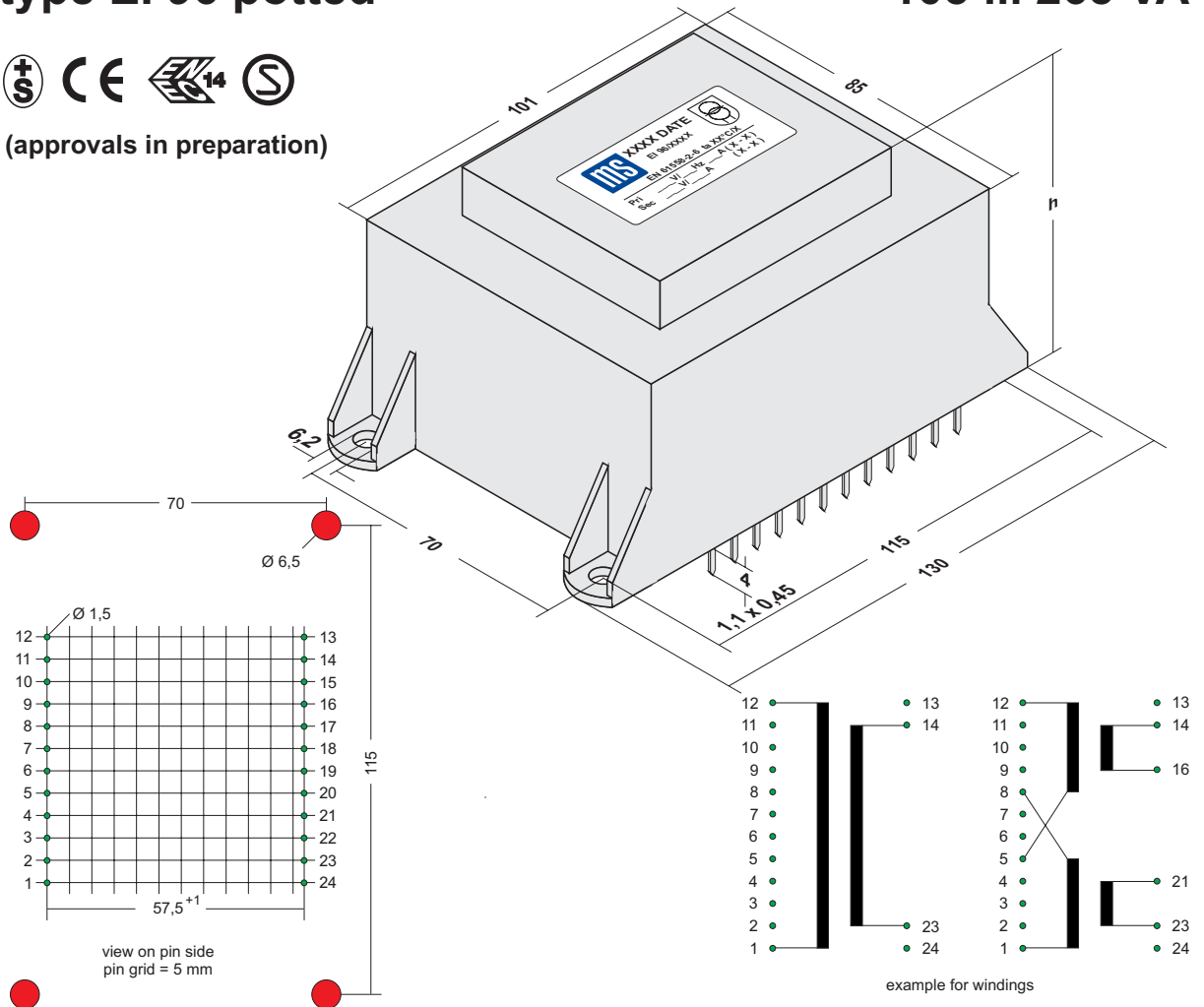
- \* safety transformer satisfying EN 60742 ( VDE 0551 ) / EN 61558-2-6 ( U<sub>o</sub> < 50 V )
- \* construction in vacuum potted double chamber style
- \* complete construction with UL-approved material
- \* U<sub>o</sub> > 50 V: insulating transformer satisfying EN 61558-2-4
- \* advantageous price / quality ratio
- \* automated production yields highest reliability
- \* maximum one or two windings primary respectively five windings secondary
- \* optional: temperature switch / temperature fuse / PTC / fail-safe
- \* optional: housing style "0" or magnetical axis vertical

# type EI 96 potted

# 105 ... 265 VA



(approvals in preparation)



EI 96	type size [ mm ]	height h [ mm ]	power [ VA ]			
			ta 40°C/B		ta 70°C/B	
			compact	economy	compact	economy
	EI 96/35,7	75	170	140	125	105
	EI 96/45,7	85	210	180	155	135
	EI 96/59,7	99	265	220	200	170

- \* safety transformer satisfying EN 60742 ( VDE 0551 ) / EN 61558-2-6 (U<sub>o</sub> < 50 V)
- \* construction in vacuum potted double chamber style
- \* complete construction with UL-approved material
- \* U<sub>o</sub> > 50 V: insulating transformer satisfying EN 61558-2-4
- \* advantageous price / quality ratio
- \* automated production yields highest reliability
- \* maximum one or two windings primary respectively six windings secondary
- \* optional: temperature switch / temperature fuse / PTC / fail-safe
- \* optional: housing style magnetical axis vertical